

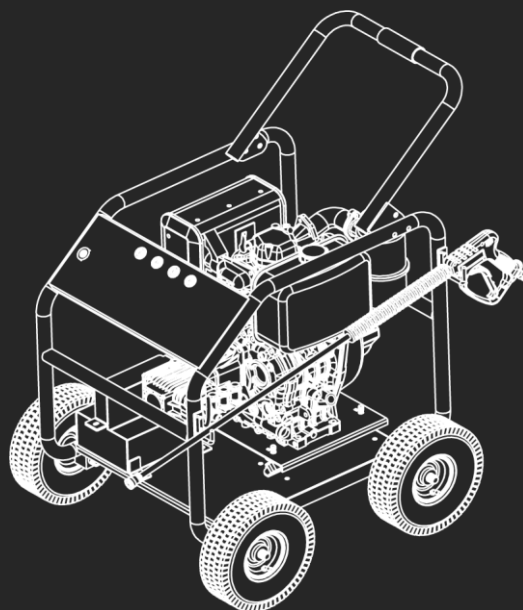
HYUNDAI
POWER PRODUCTS

DIESEL PRESSURE WASHER HYW4000DE2

Instruction Manual



GENUINE PRODUCT OF
HYUNDAI CORPORATION



WARNING: Read the instructions carefully before use.

Contents

Introduction.....	3	Declaration of Conformity.....	28
Safety Information.....	4-10	Useful Information.....	29
Understand Your Machine.....	4	Our YouTube Channel.....	29
Personal Safety.....	4-5	Warranty.....	29
Inspect Your Machine.....	5	Manual Updates.....	29
Vibrations.....	6	Returning Your Product.....	29
Noise.....	6	Leaving A Review.....	29
Residual Risks.....	6	Ordering Spare Parts.....	29
Intended Use.....	7	Product Record.....	30
Personal Protective Equipment.....	8	Contact Us.....	31
Symbols On The Machine.....	9		
General Warnings & Disposal.....	10		
Unboxing.....	11		
In The Box.....	12		
Assembly.....	13-14		
Box Contents.....	13		
Assembly Required.....	13		
Wheels Assembly.....	13		
Lance Holder.....	13		
Lance.....	14		
Nozzle Selection.....	14		
Pre-Operation Checks.....	15-17		
Oil Level.....	15		
Fuel Level.....	16		
Water supply & Outlet.....	17		
Operation.....	18-20		
Starting with E-Start.....	18		
Starting with Recoil.....	19		
Stopping.....	19		
Pressure Washing.....	20		
Pressure Adjustment and Soap Function...	20		
Maintenance & Care.....	21-25		
General Maintenance.....	21		
Storage.....	21		
Cleaning.....	21		
Replacement Parts/Spares Information...	22		
Troubleshooting.....	23&24		
Maintenance Schedule.....	25		
Technical Data.....	26		
Recycling & Disposal.....	27		

Introduction

Thank You For Purchasing Your HYUNDAI Product

We work very hard to give all of our customers the best possible service. If you have any problems, before leaving negative feedback, please contact us to give us a chance to resolve the issue. We would be delighted if you left us positive feedback! Thank you for purchasing this product.

Important!



WARNING: READ THE INSTRUCTION BOOKLET THOROUGHLY BEFORE USING THE MACHINE. Keep for future reference and pass it on if the machine is loaned or sold to another user.

This manual has been produced by Hyundai Power Products and should be kept with the product. Please read and understand these instructions before you use your product. Failure to do this may result in personal injury or damage to the product.

The safety precautions and warnings are to ensure your safety and protect you from harm or damage to the product.

The information contained in this manual was accurate at the time of production, however HYUNDAI Power Products may make modifications to the product without notification.

Safety Information

Understand Your Machine

- **WARNING!** You must read these instructions carefully before operating the machine. Make sure that you are familiar with the controls and properly operate the machine. You must learn how to stop the machine quickly. If you do not follow the warnings and instructions, it may result in fire and/or serious injury. Make sure to save all warnings and instructions for future reference.
- Read this manual and labels affixed to the machine to understand its limitations and potential hazards.
- Be thoroughly familiar with the controls and their proper operation. Know how to stop the machine and disengage the controls quickly.
- If the unit is to be used by someone other than original purchaser, or is to be loaned, rented, or sold, always provide this manual and any needed safety training before operation. The user can prevent and is responsible for accidents or injuries that may occur to themselves, to other people, or to property.
- Do not force the machine beyond its limits. Use the correct machine for your application.
- Know how to stop the machine quickly in case of emergency. Understand the use of all controls.
- ALL MAINTENANCE other than that listed in this manual, should be carried out by professionally trained and certified personnel.
- When using this machine for the first time and before actual work, you **MUST** learn how to handle the machine from an experienced or skilled person.

Personal Safety

- **WARNING!** Never allow children or people unfamiliar with these instructions to use the product. Local regulations can restrict the minimum age of the operator.
- Keep children, pets, and other people not using the unit away from the work area (at least 15m). Be alert and shut off the unit if anyone enters work area. Keep children under the watchful care of a responsible adult.
- Stay alert, watch what you are doing and use common sense when operating the machine. Never operate the machine when unwell or tired, or if you have taken alcohol, medicine, drugs or any substances which may slow your reflexes and compromise judgment. A moment of inattention while operating the machine may result in serious personal injury.
- Appropriate Personal Protective Equipment (PPE), **MUST** be worn at all times when operating or repairing the machine. Always wear anti-slip and resistant work footwear and long trousers while using the machine. Do not use the machine when barefoot, wearing sandals or similar lightweight footwear. Do not wear chains, bracelets or clothing that is loose fitting or hanging ties or cords. Tie long hair back. Always wear protective earplugs. Loose clothes, jewellery, or long hair can be caught in moving parts. Protect eyes, face, and head from objects that may be thrown from the unit. Always wear safety goggles or safety glasses with side shields when operating.
- Always keep hands and feet away from all moving parts during operation. Moving parts can cut or crush body parts. Always keep hands and feet away from all pinch points.

Safety Information

Personal Safety (Continued)

- Do not touch parts that might be hot from operation. Allow parts to cool before attempting to maintain, adjust, or service.
- Do not overreach. Keep proper footing and balance at all times. This enables better control of the machine in unexpected situations. Extending your body too far can result in a loss of balance and you may fall which will result in injury.
- Never place any part of your body where it would be in danger if movement should occur during assembly, installation, and operation, maintenance, repairing or moving.
- Keep in mind that the operator or user is responsible for accidents, hazards or unexpected events involving the machine that occur to other people or their property. It is the responsibility of the user to assess the potential risk of the area where work is being carried out. The operator or user must take all necessary precautions to ensure their own safety and that of others, especially on slopes or rough, slippery and unstable ground.

Inspect Your Machine


- Check your machine before starting it. Keep guards in place and in working order. Make sure all nuts, bolts, etc., are securely tightened.
- You must check the general condition of the machine before use.
- Never operate the machine when it is in need of repair or is in poor mechanical condition. Replace damaged, missing, or failed parts before using it. Check for fuel leaks. Keep the machine in safe working condition.
- Do not use the machine if the machine's switch does not turn off the machine when running. Any machine that can't be controlled with the switch is dangerous and must be replaced.
- Regularly check to see that keys and adjusting wrenches are removed from the machine area before starting it. A wrench or a key that is left attached to a rotating part of the machine may result in personal injury.
- If the machine should start to vibrate abnormally, stop the machine and check immediately for the cause. Vibration is generally a warning sign of trouble.
- Avoid accidental starting. Be sure the switch is off before transporting the machine or performing any maintenance or service on the unit. Transporting or performing maintenance or service on a machine with its switch on invites accidents.
- Do not tamper with or disable safety systems.
- Only use manufacturer-recommended attachments.
- Before using, always visually inspect to see that the tools are not worn out or damaged. Replace worn out or damaged elements and bolts in set to preserve balance.
- Keep the machine in good operating condition. Operating the machine in poor or questionable condition could result in serious injury.
- Be sure all safety devices are in working order and warning labels are in place. These items are installed for your safety.

Safety Information

Vibrations (Where Applicable)

- Prolonged use of hand held (operated) machines will cause the user to feel the effects of/from vibrations. These vibrations can lead to white finger (Raynaud's phenomenon) or carpal tunnel syndrome. This condition reduces the ability of the hand to feel and regulate temperature, causing numbness and heat sensations and may cause nerve damage and circulatory tissue death.
- Not all factors that lead to white finger disease are known, but cold weather, smoking and other diseases that affect blood vessels and blood circulation as well as large and long-lasting impact of shocks are considered factors in the formation of white finger. Note the following to reduce the risk of white finger and carpal tunnel syndrome;
 - Wear gloves and keep your hands warm.
 - Take regular breaks.
 - All of the above precautions may help reduce the risk of white finger disease but not rule out the carpal tunnel syndrome. Long-term and regular users are therefore recommended to observe the condition of your hands and fingers. Seek medical attention immediately if any of the above symptoms should occur.

Noise (Where Applicable)

- The operating noise of the machine can damage your hearing. When wearing protection such as earplugs or ear defenders to protect your hearing. Long-term and regular users are advised to have hearing checked regularly. Be especially vigilant and cautious when wearing ear protection because your ability to hear alarm warnings will be reduced.
 - Noise emissions for this equipment is unavoidable. Carry out noisy work at approved times and for certain periods. Limit the working time to a minimum. For your personal protection and protection of people working nearby it is also advisable for them to wear hearing protection.
-  • See Certificate of Conformity section for Outdoor Noise declaration of conformity.

Residual Risks

Even when tool is used as prescribed it is not possible to eliminate all residual risk factors. The following hazards may arise in connection with the tool's construction and design:

1. Damage to lungs if an effective dust mask is not worn.
2. Damage to hearing if effective hearing protection is not worn.

Health defects resulting from vibration emission if the power tool is being used over longer period of time or not adequately managed and properly maintained.

Safety Information

Intended Use

The HYW4000DE2 is a diesel pressure washer from HYUNDAI. The HYW4000DE2 has a maximum pump pressure output of 3600psi, powered by a 458cc Diesel motor. The pump has a 15 litres per minute output, with various spray pattern nozzles.

This machine is for DIY home and garden use, specifically pedestrian. The machine is manufactured according to the latest safety requirements. Every precaution is only effecting when it is followed exactly.

Intended Use

This machine was designed and manufactured for pressure washing various surfaces at high pressures. Any sensitive surfaces i.e car panels or soft render proceed with caution and start further away, close high pressure will cause damage

User Types

This machine is intended for use by consumers, i.e. non professional operators. The machine is intended for "DIY" and domestic use only.

Improper Use

Any other usage not in keeping with the above mentioned may be hazardous and harm persons and/or cause damage. Larger stones are not suitable to be mixed within this machine, as they may cause damage to the drum.

Safety Information

Personal Protective Equipment

Appropriate Personal Protective Equipment (PPE), MUST be worn at all times when operating or repairing the machine. No protective equipment can ensure 100% protection.

When selecting PPE, make sure it's CE marked and it suits the user in terms of size, fit, etc. If more than one item of PPE is worn at the same time, make sure they can be used together, e.g. wearing safety glasses may disturb the seal of a respirator, causing air leaks.



Hand Protection Must Be Worn

Protective electrically non-conductive gloves are highly recommended when working.



Foot Protection Must Be Worn

Non-skid heavy duty footwear are highly recommended when working.



Hearing Protection Must Be Worn

Suitable safety hearing protection is recommended.



Eye Protection Must Be Worn

Always wear safety glasses/goggles and/or face shields. Everyday eyeglasses have only impact resistant lenses; they are not safety glasses/goggles.



Protective Clothing Must Be Worn

Do not wear loose clothing, gloves, scarfs, neckties or jewellery (rings, wrist watches), which can be caught in moving parts.



Head Protection Must Be Worn

Wear a safety helmet with a safety visor.












Face Shield Must Be Worn

Wear a face shield to protect your face.

Safety Information

⚠ Symbols On The Machine

We have provided safety messages in this manual and on the machine. This information alerts you to potential hazards that could hurt you or others. Please read these messages carefully. However, we may not have listed all of the possible hazards, you must also use your own judgement.

Symbol	Description	Symbol	Description
	Safety alert – Indicates a precaution, a warning or a danger.		Eye protection must be worn.
	Hand protection must be worn.		Sound power level LWA data in dB.
	Foot protection must be worn.		This product should not be disposed of in domestic waste. Please contact your local recycling centre for disposal service.
	Read operator's manual.		Class II tools symbol.
	This product complies with the European directives and an evaluation method of conformity for these directives was done.		

Safety Information

⚠ General Warnings & Disposal



Exhaust Gas Warning : Exhaust Gas from this machine is poisonous, NEVER operate in an unventilated area



Electrocution Warning : This machine is a potential source of electrical shock. Never expose to moisture, rain or snow. Do not operate with wet hands or feet.



Hot Surface Warning : During the operation of this machine, it becomes dangerously hot. Allow to cool before moving



Fire Risk Warning : Due to using flammable liquids, risk of fire is always present. NEVER refuel during operation.



Operation Safety Warning : ALWAYS point the lance in a safe direction away from people or animals. The pressure of this machine is so high it will cause accident and injury.



Operation Safety Warning :Ensure when operating this machine you always wear eye protection. The high pressure nature of machine can cause projectiles and high velocity water steams which will injure the naked the eye.



Kickback Warning : Always hold the machine Lance with 2 hands. The machine builds up pressure during operation. When initially pulling the trigger, kickback can occur.



Risk of Liquid Injection : NEVER point the lance in the direction of People or Animals whilst operating. This can result in Hypotonic injury (water in the blood stream) and Arterial Gas Embolism (air in the blood stream). Both these are serious ailments and can cause death.

Unboxing

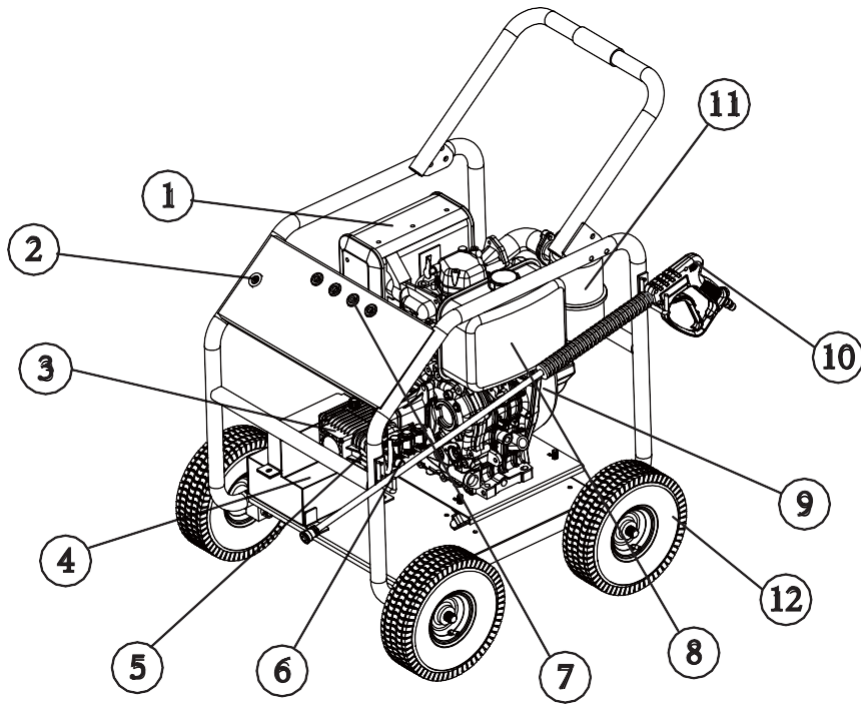
⚠ WARNING : Unboxing and assembling the machine should be done on a flat, surface with enough room. Disposal of the packaging should be done in accordance with the local regulations in force.

⚠ WARNING : Some of the packaging material may be harmful to children. Keep out of reach of children.

1. Carefully remove the product from the packaging and examine it for any sign of damage caused during shipping.
2. Lay the contents out and check them. If any part is damaged or missing, you must not use the machine. Contact HYUNDAI POWER PRODUCTS immediately.
3. You must keep the packaging material in case the machine needs to be returned or repaired.
4. Ensure that you have all the accessories and tools you need for assembly and operation including the suitable personal protective equipment.

We recommend that you fill out the information in the 'Product Record' section. If you need to contact an authorised dealer or customer service, you may need to provide this information.

Features



1. Exhaust
2. Key Start
3. Triplex Water Pump
4. Battery
5. Detergent Tube
6. Water Inlet
7. Lance Nozzles
8. Fuel Tank
9. Recoil Starter
10. Washer Lance
11. Air Filter
12. Wheel

Descriptions on next page 

Assembly

Box Contents

When unpacking your machine, make sure the following items are present:

- Hose
- Spray Gun/Lance
- Lance Holder
- Lance Nozzles
- Detergent Hose with Filter
- Wheels & Fixings
- Handles & Fixings
- Garden Hose adapter

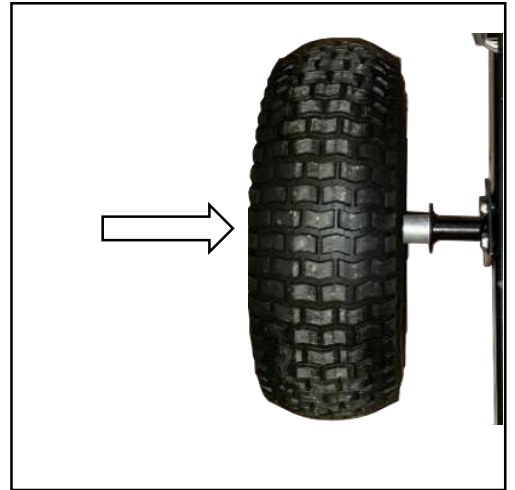
If any of these components are missing, please contact us.

Assembly Required

Due to our committed and continuous improvement, your machine may require less assembly than advised within this manual. If your machine comes assembled, please disregard the following instructions.

Wheels Assembly

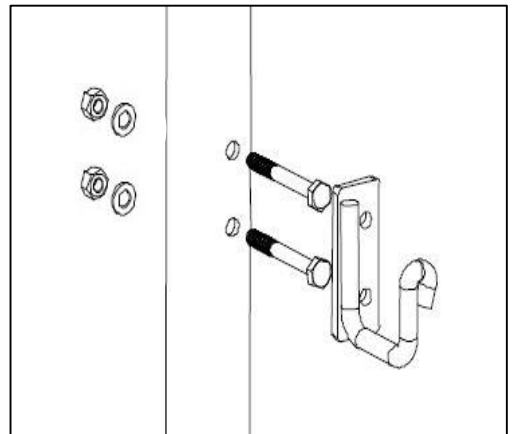
Simply slide a wheel onto each of the Axles, place a washer and secure with the Nylon Lock Nut. Do not overtighten these, the wheels must rotate freely. Nylon Lock Nuts can feel rigid when tightening so please keep this in mind. Repeat on all corners of the machine.



Lance Holder

The machine comes with 2 hooks which attach to the frame of the machine to create a Lance Holder. Using the included bolts to attach these.

The machine has 2



Assembly

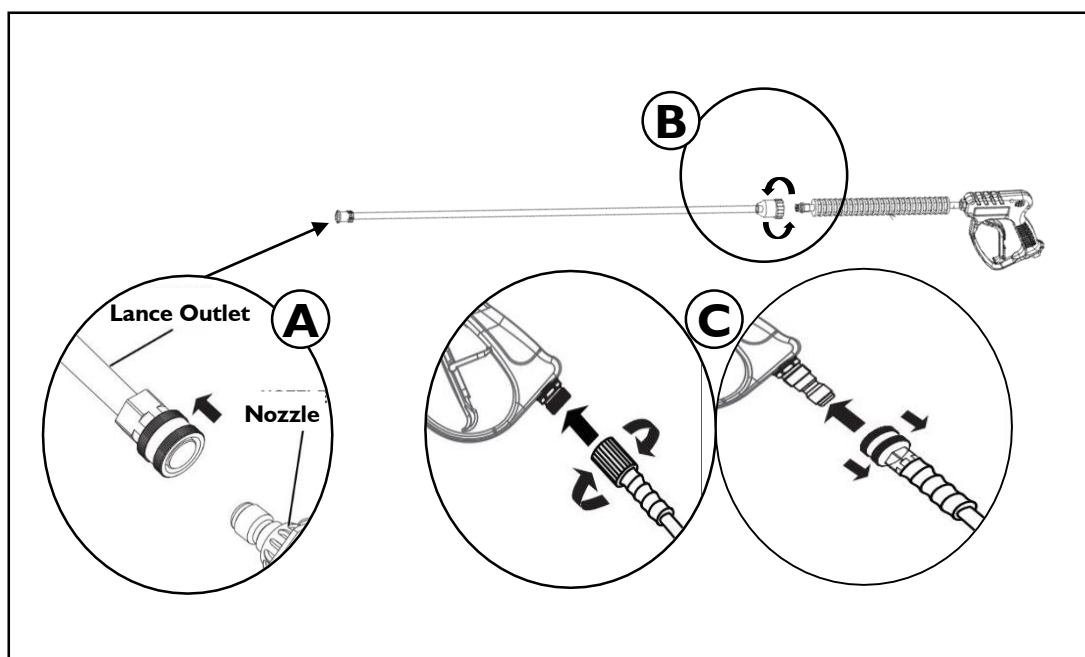
Lance

A – Attaching Nozzles –Bull back on the brass collar on the quick release fitting Lance Outlet. Place the Nozzle into the outlet and release the collar. Check the Nozzle is secure by giving it a slight pull. If seated correctly it should stay in place.

B – Mating Lance Handle to Lance Outlet – The Lance Outlet simply twists into the Lance Handle.

C- High Pressure Hose – Your machine may have either a quick release fit, or a threaded fit. For Quick release, bull back the collar on the High Pressure Hoses Quick Release fitting and place over the Lances fitting. Similarly with the Nozzle, Check the hose is secure by giving it a slight pull. If seated correctly it should stay in place.

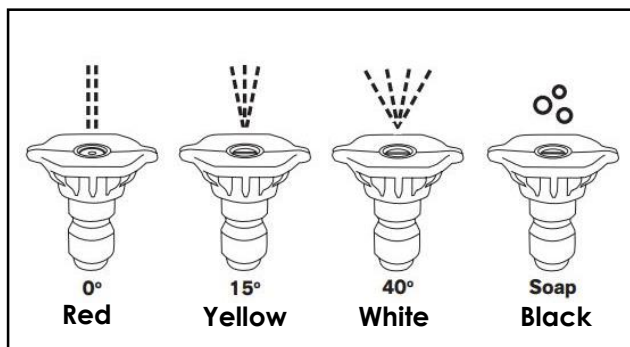
For the Threaded fitment, simply twist the High Pressure hose onto the thread of the Lance Handle.



Nozzle Selection

WARNING! Never use the Red Nozzle with delicate surfaces i.e. Car Cleaning or House Render. THIS WILL CAUSE DAMAGE

The nozzles included with the machine alter the washer fan pattern. These are identified by colour and Degrees°. The lower the amount of Degrees° the more focused the fan pattern. For example the 0° Red nozzle, will provide a focused beam of water, which is very powerful.



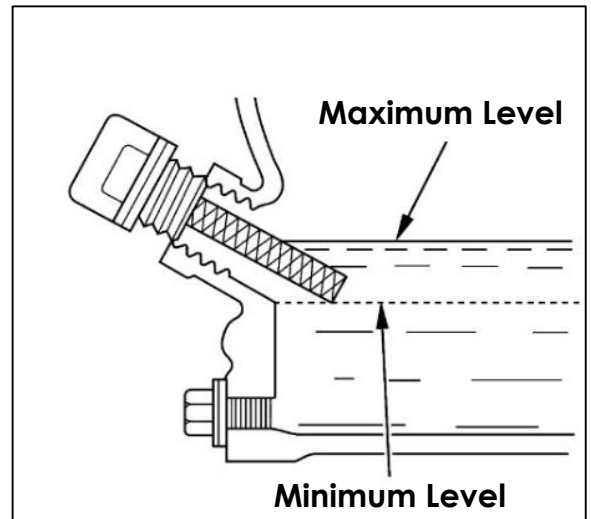
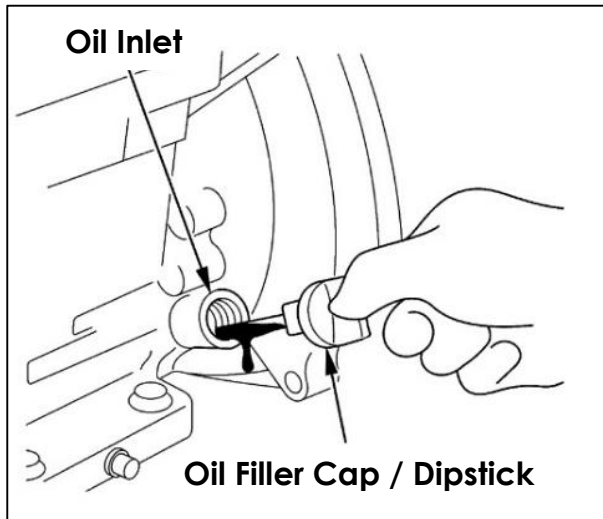
Operation

Pre-Operation Checks

Oil Level

Check Engine Oil Level Check the engine oil level with the engine stopped and in a level position.

- Remove the oil filler cap/dipstick and wipe it clean.
- Insert and remove the dipstick without screwing it into the filler neck. Check the oil level shown on the dipstick.
- If the oil level is low, fill to the edge of the oil filler hole with the recommended oil (SAE 15W40 - API CH-4/CF/SJ/SL diesel engine oil or higher grade)
- Screw in the oil filler cap/dipstick securely.



Operation

Pre-Operation Checks

Fuel Level

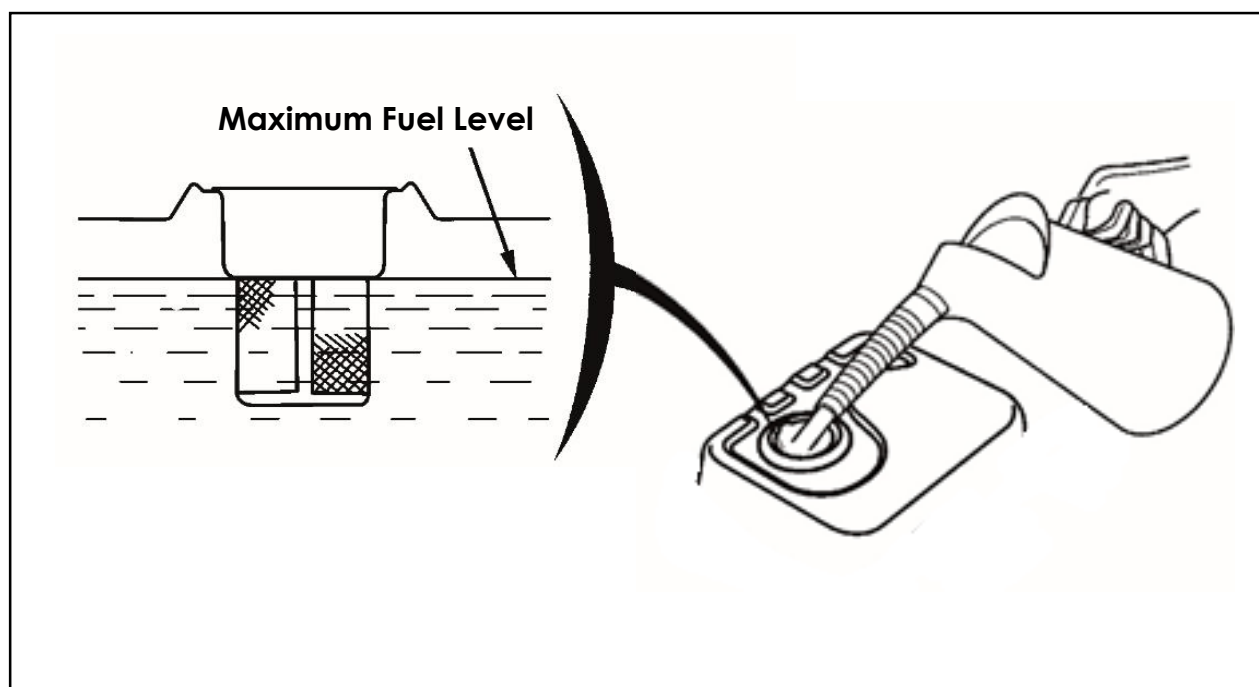
With the engine off and on a level surface, remove the fuel tank cap and check the fuel level. You will be able to see the fuel through the fuel strainer. Refill the tank if you cannot see any fuel in the strainer. After refuelling, tighten the fuel tank cap securely.

Always use a funnel or Fuel Bottle with a Flexible spout like shown below

⚠ Diesel Fuels are combustible and cause skin irritation. You can be burned or seriously injured when handling fuel.

⚠ NEVER fill above the Maximum Fuel Level.

Standard grade B7 diesel fuel from a fuel station is acceptable to use with this machine.



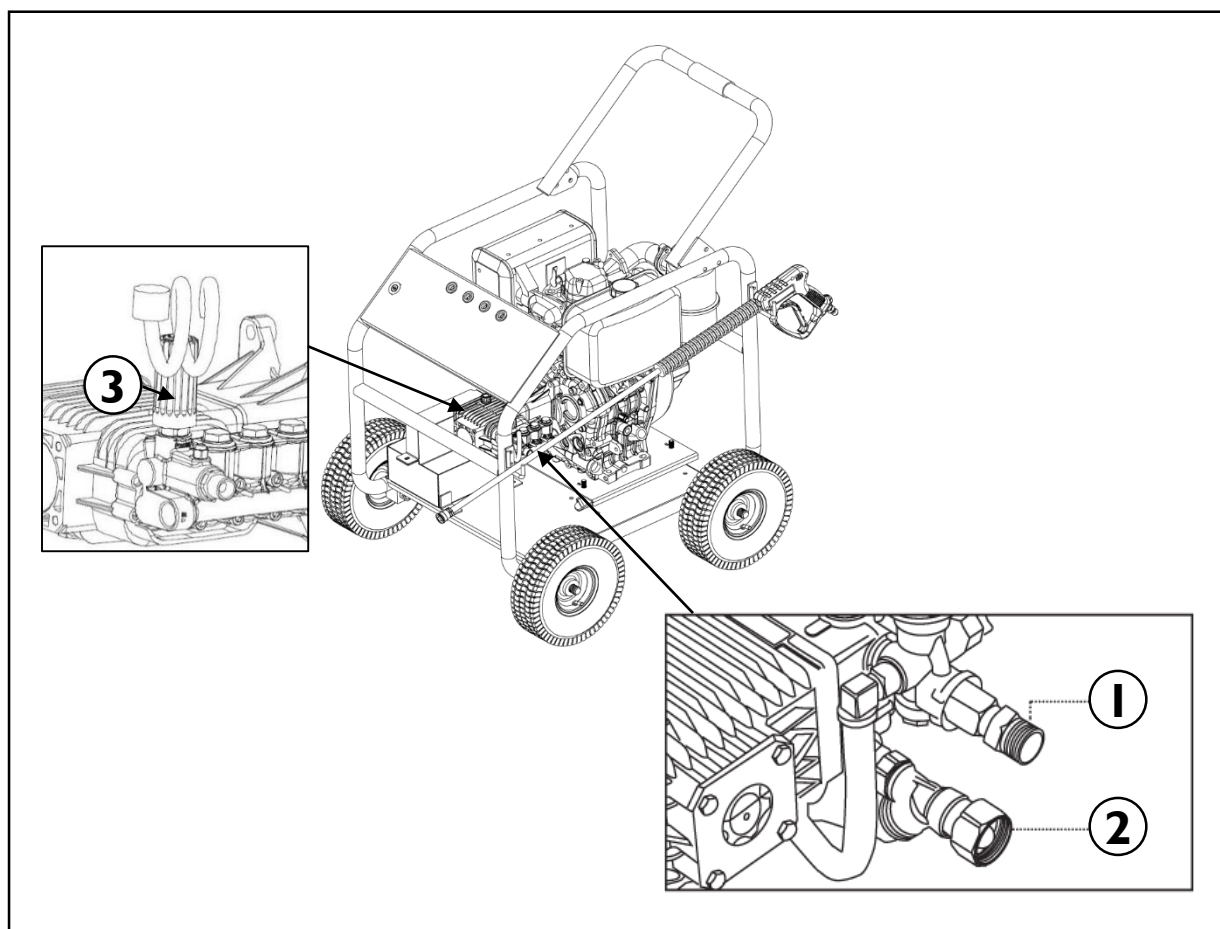
Operation

Pre-Operation Checks

Water Supply and Outlet

Before connecting the water supply, allow the water to run to ensure no debris is present.

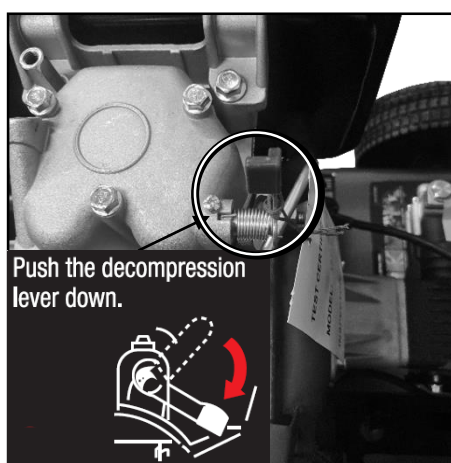
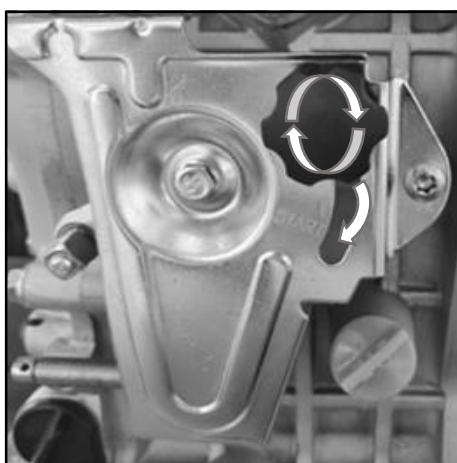
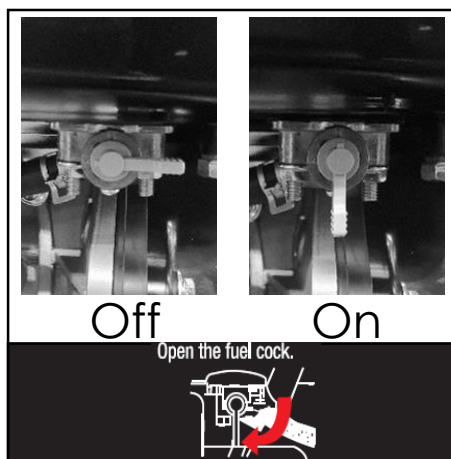
- Connect Water supply to Inlet (1). Ensure there is 3 metres of unrestricted hose feeding the machine, capable of supplying water at a flow rate greater than 14.4 litres per minute and no less than 20 PSI at pressure washer.
- Connect the High pressure hose to the pump outlet (2).
- Turn on the Water supply
- Adjust the outlet pressure using the Pump Regulating Valve (3)



Operation

Starting with E-Start

- To start the machine by E-Start, turn the ignition switch 1 click clockwise to the ON position.
- Check to make sure fuel valve is in the ON position.
- Unscrew the knob on the fuel governor, and move the lever down into the Start position.
- Turn the Key clockwise and the engine will start to turnover. Release the key when the engine starts.
- If the machine doesn't start after 5-8 seconds, release the key and try again. If the machine doesn't start after 3 E-start attempts, try the Recoil Start Method.
- If your machine has a low battery and struggles to turn over, press the decompression lever down to assist the motor.



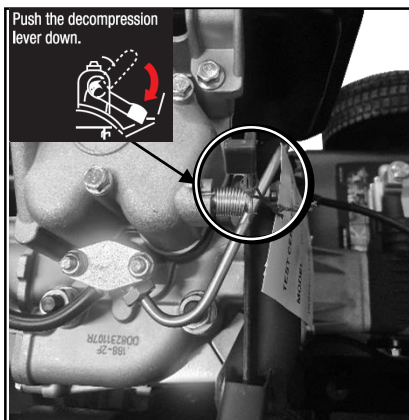
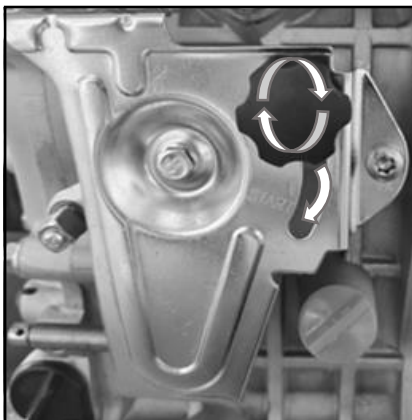
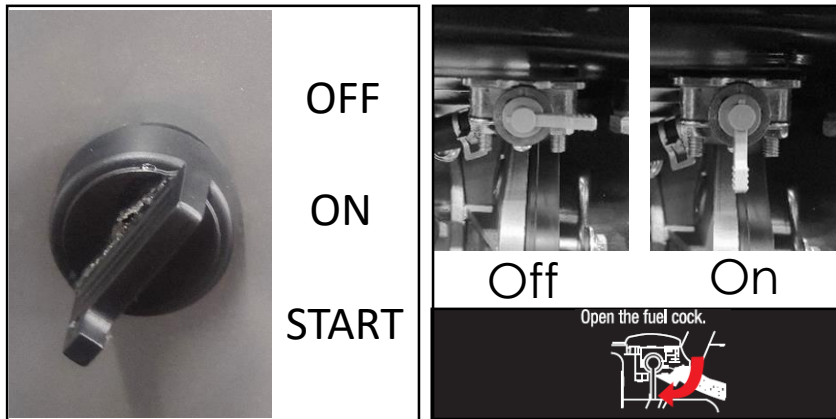
Operation

Starting with Recoil

- To start the machine by recoil, turn the ignition switch to the ON position.
- Check to make sure fuel valve is in the ON position. Unscrew the Fuel Governor knob, and move the lever to the START down position.
- Gently pull recoil several times until you cannot pull it anymore, then push the decompression lever to the down position.
- With both hands take a firm grip of recoil starter and pull the whole rope rapidly with both hands.
- Once the machine is running release water pressure by squeezing the trigger on the gun.

Stopping

- Stop any spraying and allow the machine to return to Idle.
- Turn the Engine switch into the Off Position.
- Release the locking knob on the Fuel Governor Lever and Move it to the STOP position.
- Release the residual pressure in the Lance as this will still be at a high pressure and stop your removing the Nozzles for storage. Ensure you NEVER point the lance in a dangerous area when releasing pressure.

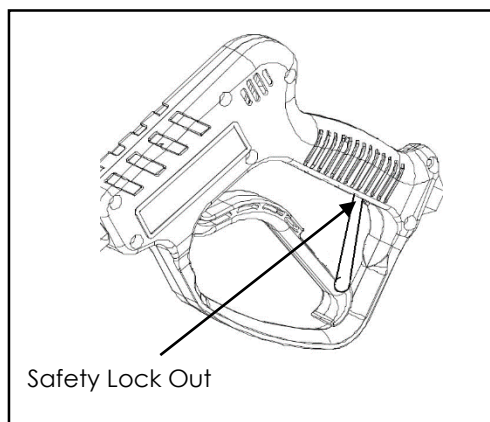
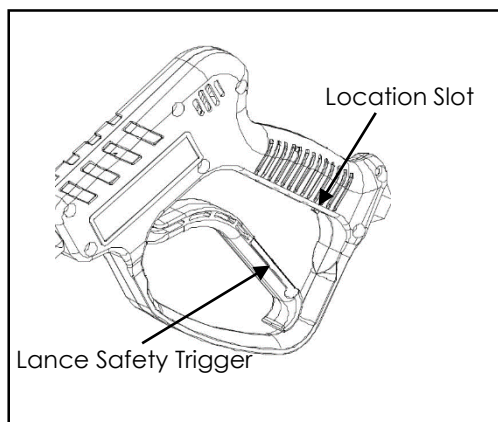


Operation

Pressure Washing

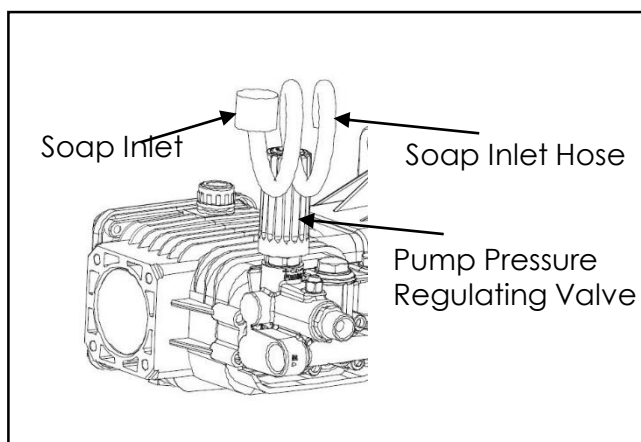
IMPORTANT – When using pressure washer, don't allow the machine to idle for a long time. This will overheat the pump and cause damage. If not using for extended periods of time, turn off the machine.

- With the Machine running with a constant water supply, Choose the nozzle best suited for your activity. Simply pull the Lance Trigger and the machine will expel high pressure water.
- The trigger has an inbuilt Safety Lock Out. When not using the machine, to avoid accidental overspray, simply extend the Safety Lock Out. There is a slot which the Lock Out will sit within



Pressure Adjustment & Soap Function

- Place the Soap inlet, and inlet hose into your container with soap. Follow mix instructions supplied by the manufacturer of the soap. If no instructions, assume it requires no mixing.
- The Soap inlet will draw the detergent through the hose into the pump, passing it through the lance. Some aftermarket brands make Soap Bottles which are compatible with the Lance. If you wish to use one of these, there isn't any benefit to additionally drawing soap through the pump as shown.
- Adjust Pressure using Pressure Regulating Valve



Maintenance & Care

General Maintenance

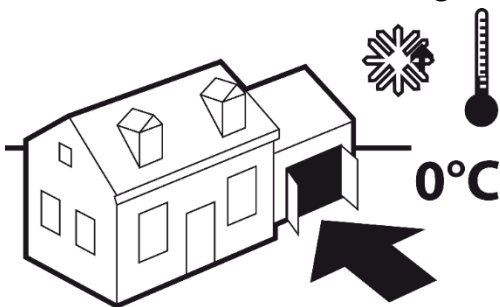
⚠ WARNING : Turn OFF the machine, allow all moving parts to come to a complete stop, and disconnect the power cord before maintaining the machine. You need to wear proper clothing and protective gloves whenever your hands are at risk.

- Keep all nuts, bolts and screws tight to be sure the machine is in a safe working condition.
- Replace worn or damaged parts for safety. Only use manufacturer-recommended parts and accessories.
- To keep your machine in good working condition, you can use spray lubricating oil along the blade, on the top of the blade, and the bottom of the blade.

Storage

⚠ Keep the machine stored in a dry, level area away from damp, moisture and rain fall. Allow the machine to cool down before storing.

- Make sure the machine is clean and dry before storing.
- Put the blade cover on the blade when in storage.
- Ensure the machine is stored in a position, where any persons cannot step on, to attempt to reach items up high, due to risk of movement.
- DO NOT store the machine near an ignition source, such as a wood stove, gas or electric heater, or an appliance or heater with a pilot light.
- Store the machine out of reach of children or anyone who is not familiar with operation.
- DO NOT stack other items on top of the machine when in storage.
- Make sure the machine is stored away from direct sunlight. Store indoors or in a safe, frost-free area during severe weather and winter months.



Cleaning

⚠ Always remove the electric plug from the mains supply before any cleaning is undertaken.

- Remove any grass and mud after each use to prevent it from drying. Use a clean cloth to remove dirt, grease, etc.
- DO NOT use any water on any part of the main machine.
- Avoid using solvents when cleaning plastic parts. Most plastics are susceptible to damage from various types of commercial solvents and may be damaged by their use.
- Always ensure that ventilation openings are kept clear of debris.

POWER SPARES



No Hassle Returns



Same Day Dispatch*



Over 10,000 Spare Parts



QR Code – Scan the QR code for a direct link to our website

Our Website : power-spares.co.uk

Call us : 01646 404406

Email us : sales@power-spares.co.uk

To maintain your machine in peak operating condition, proper maintenance and care are crucial. Some machines have consumable parts that will need replacement to ensure they continue operating at their full potential. Power-Spares provide manufacturer parts for all your machines, ensuring they remain in peak condition.

About Power Spares

Power-Spares has your back if you damage your lawn mower blade, find your spark plugs not sparking, or snap your recoil. Power-Spares operates under the trading name of Genpower Limited.

As part of the Genpower family, Power-Spares offers you the expertise, efficiency, and quality assurance of a large organisation. We leverage the latest warehousing, distribution, customer service, and inventory management technology to ensure you receive your parts as quickly as possible.

With extensive stock-holding of spare parts in our UK warehouses, Power-Spares is ready to assist you promptly when your machine needs repair. We're Committed to help you get back up and running as quickly as possible.

Maintenance & Care

Troubleshooting

⚠ NOTE : All corrective actions should be carried out by suitably qualified person/s.

Problem	Possible Cause	Possible Solution
Failure to produce pressure, Erratic pressure, Chattering, Loss of pressure, Low water volume.	<ol style="list-style-type: none"> 1. Low pressure spray nozzle installed. 2. Water inlet is blocked. 3. Inadequate water supply. 4. Inlet hose is kinked or leaking. 5. Clogged inlet hose screen. 6. Water supply is over 100°F (38°C). 7. High pressure hose is blocked or leaks. 8. Spray gun leaks. 9. Spray nozzle is obstructed. 10. Pump is faulty. 	<ol style="list-style-type: none"> 1. Replace with high pressure spray nozzle 2. Clear inlet. 3. Provide adequate water flow. 4. Straighten or repair inlet hose, patch 5. Check and clean inlet hose screen. 6. Provide cooler water supply. 7. Clear blocks in outlet hose. 8. Replace spray gun. 9. Clean spray nozzle. 10. Contact your dealer.
Detergent fails to mix with spray.	<ol style="list-style-type: none"> 1. Detergent siphoning tube is not submerged. 2. Detergent siphoning tube/ filter is clogged or cracked. 3. High pressure spray Nozzle installed. 	<ol style="list-style-type: none"> 1. Insert detergent siphoning tube into detergent. 2. Clean or replace filter/ detergent siphoning tube. 3. Replace with low pressure Spray Nozzle
Engine lacks power.	<ol style="list-style-type: none"> 1. Dirty air filter. 	<ol style="list-style-type: none"> 1. Replace air filter.
Engine will not start.	<ol style="list-style-type: none"> 1. Fuel Governor lever on/off switch In STOP position. 2. No fuel in engine. 3. Pressure build up in pump. 	<ol style="list-style-type: none"> 1. Turn Governor lever to ON position. 2. Fill fuel tank or turn on fuel supply. 3. Squeeze trigger on spray lance.
Engine runs well at no load but "bogs" down under full load.	<ol style="list-style-type: none"> 1. Engine speed is too slow. 	<ol style="list-style-type: none"> 1. Adjust Governor lever back to START (full throttle)

Maintenance & Care

Troubleshooting

⚠ NOTE : All corrective actions should be carried out by suitably qualified person/s.

Problem	Possible Cause	Possible Solution
Engine runs well at no load but "bogs" down under full load.	1. Engine speed is too slow.	1. Adjust Fuel Governor lever back to START (full throttle)
Engine will not start; or starts and runs rough.	1. Low oil level. 2. Dirty air cleaner. 3. Out of fuel.	1. Fill to proper level. 2. Clean or replace air cleaner. 3. Fill fuel tank.
Engine shuts down during operation	1. Out of fuel. 2. Low oil level.	1. Fill fuel tank. 2. Fill with oil, to proper level.
Thermal relief valve is open and discharging water from side of pump.	1. Water temperature is too high. 2. Pump has been operating for 3 mins without pulling trigger.	1. Use cool water only. 2. Pull trigger at least 30 seconds every 3 mins.
Leak in the fittings	1. Water leak in high pressure fittings, hose or gun.	1. Tighten hose fittings, replace hose or gun. If problem continues, contact your dealer.
Oil is milky colour.	1. Seals have worn from use and water has leaked in.	1. Return unit to local dealer to have seals replaced.

Maintenance & Care

Maintenance Schedule

Item		Frequency				
		Every Use	1 st Month or 20 Hours	Every Season or 50 Hours	Every 6 Months or 100 hours	Yearly or every 300 hours
Engine Oil	Check Level	●				
	Replace		●		●	
Pump Oil	Check Level	●				
	Replace		●		●	
Air Filter	Check Level	●				
	Clean			●+	●+	
	Replace					●+
Valve Clearances	Check/Adjust					●
Fuel Tank & Filter	Check					●
Fuel Pipes	Check					●
<p>●+ More Often is used in dusty environments</p>						

Technical Data

Specification

Model	HYW4000DE2
Fuel Type	Diesel (B7)
Engine Displacement (cc)	458
Rated Power Continuous (hp/kW)	8.6/6.3
Rated Power Maximum (hp/kW)	9/6.6
Fuel Tank Capacity (L)	5.5
Engine Oil Capacity	1.65L
Maximum Pump Flow Rate (L/m)	13
Maximum Pump Pressure (psi)	4000
Working Pressure (psi)	3600

Recycling & Disposal

Recycling & Disposal

We do not offer a takeback scheme for the recovery of Waste Electrical Electronic Equipment (WEEE) & Batteries. Instead the responsibility to dispose of WEEE and/or Batteries is passed onto you by us.

So when it becomes necessary to dispose of your machine you must take it to your local Civic Amenity Site. For further information please contact your local Authority for disposal advice.

You **MUST** make sure that all unused oil and fuel is disposed of correctly either beforehand or at your local Civic Amenity Site.

- Under NO circumstances must any fuel or oil be put down any drains.
- Certain products contain WEEE waste which should not be disposed of in your domestic waste.
- You **MUST** recycle WEEE in accordance with your local authority or recycling centre.
- Certain products contain batteries which should not be disposed of in your domestic waste.
- You **MUST** recycle batteries in accordance with your local authority or recycling centre.
- Unwanted packaging and materials should be stored and taken to a recycling centre so it can be disposed of in a manner which is compatible with the environment.

We are a Member of the VALPAK National Compliance Scheme and our registration number is RM08660. For further information about disposal please contact your Local Authority.

You can also get more advice and guidance about recycling at the following website <http://www.recycle-more.co.uk>

Should you pass this product on to another user either sold or loaned, you **MUST** pass on this user manual. This will make sure that all other users can use and maintain this machine safely.

Environmental Protection

1. Environmental protection should be a priority of considerable importance when using the machine, for the benefit of both social coexistence and the environment in which we live. Try not to cause any disturbance to the surrounding area.
2. You must comply with local regulations and provisions for the disposal of packaging, oils, fuel, filters, damaged parts or any elements which have a strong impact on the environment. This waste must not be disposed of as normal waste. It needs to be separated and taken to specified waste disposal centres where the material will be recycled.
3. You must comply with local regulations for the disposal of waste materials after mowing.
4. When disposing, do not pollute the environment with the machine, but hand it over to a disposal centre, in accordance with the local laws in force.

EU Declaration Of Conformity

Importer and Authorised Representative

Genpower Ltd
Isaac Way, Pembroke Dock, SA72 4RW

Country of Origin: China

Description: Diesel Pressure Washer

SKU Code: HYW4000DE2

Date of Issue: 01/01/2024

Regulations and Directives of Compliance

- 2006/42/EC The Machine Directive
- 2014/30/EU EMC Directive
- 2000/14/EC Noise Emissions
- 2011/65/EU RoHS

Statement of Declaration

We the importer and authorised representative of the product described confirm conformity within the provisions of applicable regulations and directives listed within this document.

Signed on Behalf of Genpower Ltd

Place of Issue: Genpower Ltd

Signatory Name: Roland Llewellyn

Position: Managing Director

R J Llewellyn
.....



Useful Information

Check Out Our YouTube Channel

Our videos on YouTube include:

- Unboxing
- Assembly of your machine
- How to service your machine
- Products in use
- 'How To' videos
- Product features

Go to YouTube and search '**Hyundai Power Products**'.

Warranty

Proof of purchase will be required before you make a warranty claim. Full warranty terms and conditions can be found on the HYUNDAI POWER PRODUCTS website:

www.hyundaipowerproducts.co.uk

Manual Updates

Our manuals are constantly being reviewed and updated. Should you find an error, omission or something unclear, please contact us for assistance. We reserve the right to make any modifications without prior notice whenever necessary.

Our latest manuals are also placed online. All our manuals can be downloaded at:
www.hyundaipowerproducts.co.uk

Returning Your Product

If you are returning your product, please contact the dealer for their returns policy.

Leaving A Review

We work very hard to give all of our customers the best possible service. If you have any problems, before leaving negative feedback, please contact us to give us a chance to resolve the issue. We would be delighted if you left us positive feedback! To leave a review, please go to:

uk.trustpilot.com/review/hyundaipowerequipment.co.uk

Ordering Spare Parts

You can find the spare part you are looking for at **power-spare.co.uk**

Product Record

Information

As soon as you have purchased the machine, we recommend that you fill out the following. If you need to contact an authorised dealer or customer service for information on servicing, you may need to provide the following information.

Date Of Purchase:.....

Dealer Name:.....

Dealer Phone:.....

Model Number:.....

Serial/Batch Number:.....

Contact Us

Need Help? Talk To Our Experts

Our friendly aftersales team will be more than happy to help you.



Phone

Call our team on 01646 687 880



Email

aftersales@hyundaipowerproducts.co.uk



Online Live Chat

Go to www.hyundaipowerproducts.co.uk



Post

Genpower Ltd, Isaac Way, Pembroke Dock, Pembrokeshire, SA72 4RW.



Hyundai Support Website

Go to hyundaisupport.co.uk

HYUNDAI

POWER PRODUCTS



GENUINE PRODUCT OF
HYUNDAI CORPORATION

For Inquiries, Please Contact:
GENPOWER LTD
Isaac Way, London Road,
Pembroke Dock, UK, SA72 4RW.
T: +44 (0) 1646 687 880
E: info@hyundaipowerproducts.co.uk
www.hyundaipowerproducts.co.uk