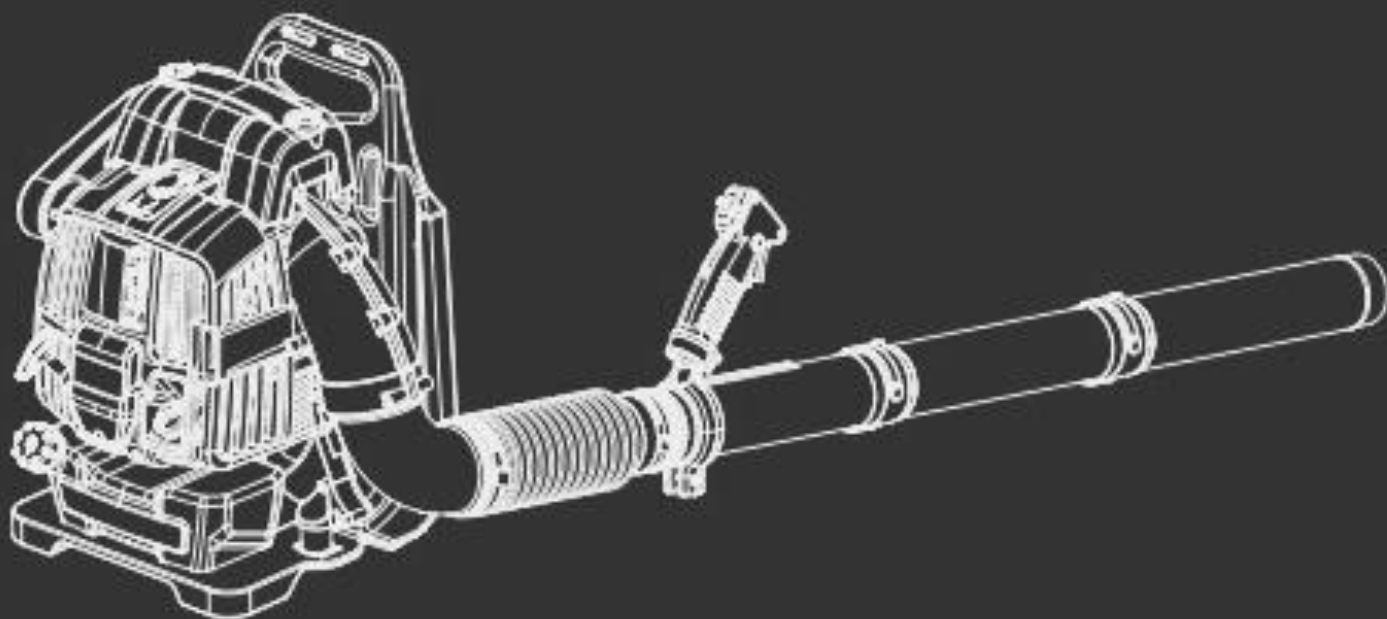


HYUNDAI
POWER PRODUCTS

PETROL BACKPACK LEAF BLOWER HY4B76

User Manual



INDEX

1	SAFETY	3 – 8
2	PART LOCATIONS	9
3	ASSEMBLY	10 – 11
4	PRE OPERATION CHECKS	11 – 12
5	STARTING PROCEDURE	13 – 14
6	STOPPING PROCEDURE	14
7	OPERATING PROCEDURE	15 – 17
8	MAINTENANCE	17 – 22
9	TRANSPORT	22
10	STORAGE	23
11	TROUBLESHOOTING	24 – 25
12	SPECIFICATION	25
13	DECLARATION OF CONFORMITY	26
14	RECYCLING & PRODUCT DISPOSAL	27
15	CONTACT DETAILS	28
16	WARRANTY	28
17	MANUAL UPDATES	28

1. SAFETY

1.1 General Safety Notes.

- 1.2 The operator of the machine is responsible for, and has a duty of care in making sure that the machine is operated safely and in accordance with the instructions in this user manual. Keep the manual safe and pass it on if the machine is loaned or sold to another user.
- 1.3 Please note the following safety points.
- 1.4 The machine should never be left in a condition which would allow an untrained or unauthorised person/s to operate this machine.
- 1.5 All due care and diligence should be taken by the operator for the safety of and with regard to those around whilst using the machine.
- 1.6 Some or all of the following - warning signs, symbols and/or PPE pictograms may appear throughout this manual. You **MUST** adhere to their warnings. Failure to do so may result in personal injury to yourself or those around you.



DANGER

Indicates a hazard, which, if not avoided, could result in serious injury or death.



WARNING

Indicates a hazard, which, if not avoided, could result in serious injury.



CAUTION

Indicates a hazard which, if not avoided, might result in minor or moderate injury.



NOTE

Indicates a situation that could easily result in equipment damage.

- 1.7 READ and keep the manual safe and pass it on if the machine is loaned or sold to another user.
- 1.8 You **MUST** fully understand all instructions to ensure you use and operate the machine safely.
- 1.9 Appropriate Personal Protective Equipment (PPE), **MUST** be worn at all times when operating or repairing the machine.



HAND
PROTECTION
MUST BE WORN



EYE
PROTECTION
MUST BE WORN



PROTECTIVE
CLOTHING
MUST BE WORN



HEARING
PROTECTION
MUST BE WORN



FOOT
PROTECTION
MUST BE WORN



HEAD
PROTECTION
MUST BE WORN

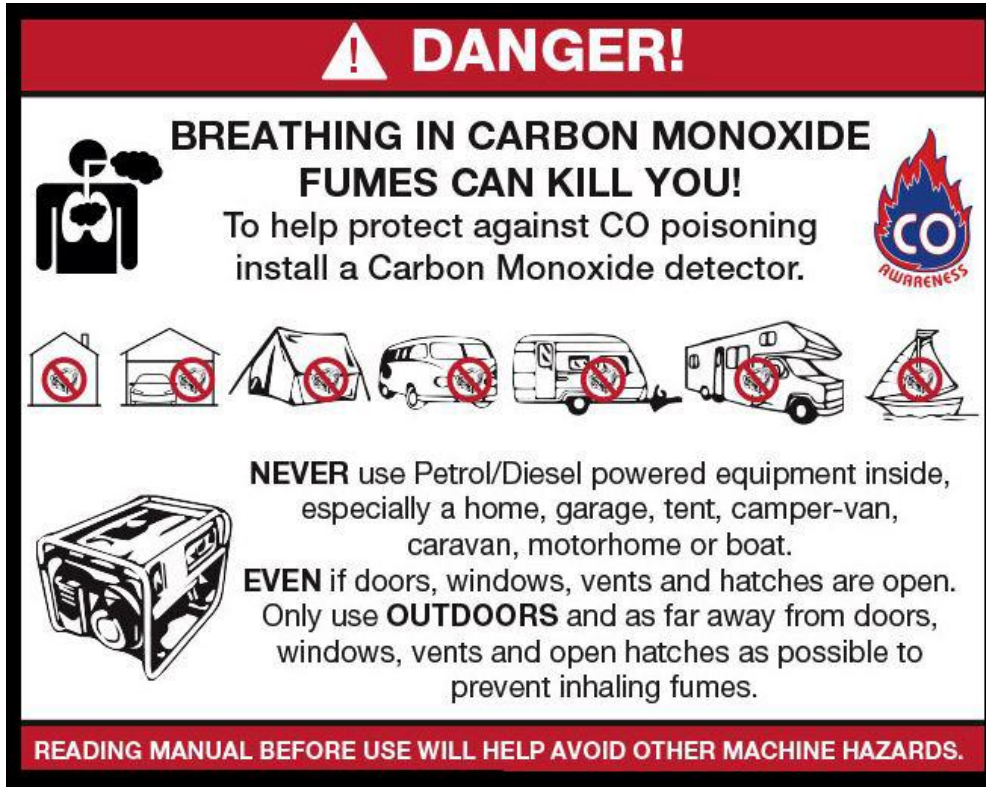


RESPIRATOR
MUST BE WORN



FACE SHIELD
MUST BE WORN

1.10 Carbon Monoxide (where applicable).



- 1.11 Carbon monoxide is a colourless and odourless gas. Inhaling this gas can cause death as well as serious long term health problems such as brain damage.
- 1.12 The symptoms of carbon monoxide poisoning can include but are not limited to the following;
Headaches, dizziness, nausea, breathlessness, collapsing or loss of consciousness.
- 1.13 Carbon monoxide poisoning symptoms are similar to flue, food poisoning, viral infections and simply tiredness. It is quite common for people to mistake this very dangerous poisoning for something else.
- 1.14 To avoid carbon monoxide poisoning **DO NOT** use Petrol/Diesel powered equipment inside any of the following; Home, garage, tent, camper van, mobile home, caravan or boat. This is not exhaustive and if you are in any doubt contact your dealer.
- 1.15 If you think you have or someone around you has been affected by carbon monoxide poisoning;
- 1.16 Get them fresh air immediately, by leaving the affected area or by opening doors and windows. If safe and practical to do so make sure that the machine is turned off. **DO NOT** enter a room you suspect of having carbon monoxide present – instead call the emergency services.
- 1.17 Contact a Doctor immediately or go to Hospital – let them know that you suspect carbon monoxide poisoning.
- 1.18 **DO NOT** use in an enclosed area or moving vehicle.

1.20 **General Fuel Safety (where applicable).**



CAUTION

ALL FUELS ARE FLAMABLE

1.21 Fire Hazard – keep fuel away from all sources of ignition for example heaters. Lamps, sparks from grinding or welding.



1.22 **DO NOT** carry out hot work on tanks that have contained fuel.

1.23 **ALWAYS** keep the work area tidy.

1.24 **ALWAYS** clean up spills promptly using absorbent granules and a lidded bin.

1.25 **ALWAYS** dispose of waste fuels correctly.

1.30 **Fueling/De-fueling (where applicable).**



CAUTION

ALL FUELS ARE FLAMABLE

1.31 **ALWAYS** fuel and defuel in a well ventilated area outside of buildings.

1.32 **ALWAYS** wear correct, suitable and fit for purpose Personal Protective Equipment (PPE), suggested items are but not limited to safety gloves, overalls.



1.33 When fueling/de-fueling **ALWAYS** avoid inhaling fumes.

1.34 When de-fueling **ALWAYS** use a proper fuel retriever.



1.35 **ALWAYS** carry fuel in the correct and clearly marked container.

1.40 **Electrical Safety (where applicable).**

1.41 Electricity can kill – **NEVER** work on **LIVE/ENERGISED** equipment.

1.42 Prior to carrying out any maintenance work you **MUST** identify electrical isolation methods and isolate all electrical supplies.

1.43 Prior to use and with all electrical supplies isolated, you **MUST** check all electrical cables, plugs and connectors for the following;

1.44 Are intact and have no signs of damage, to include but not limited to bare wires, chaffing, cuts and loose wiring.

1.45 If there are any signs of damage, the damage item **MUST** be taken out of service until the damage has been repaired by an electrically competent person.

1.46 All trailing cables should be routed so as not to cause any kind of trip hazard.




1.47 **NEVER** work on or near electricity with wet hands, wet clothing and wet gloves.

Risk of electric shock

1.50 Batteries (where present).

- 1.51 Batteries present a risk if they become damaged by the possible leaking of electrolyte. This electrolyte is an acid and can cause serious burn injuries. Care should be taken when working on or near them. **NOTE** the electrolyte may be in a liquid or gel form.
- 1.52 Should you come in to contact with electrolyte you should;
- 1.53 Remove all clothing contaminated with electrolyte. If you cannot remove then saturate them in water.
- 1.54 Get medical assistance as soon as possible. You must advise the medical staff of the type of acid.
- 1.55 Lead/acid battery = dilute sulphuric acid.
- 1.56 Nickel/cadmium = potassium hydroxide alkali electrolyte.
- 1.57 Use fresh running water to wash off excess electrolyte, continue this until medical assistance arrives. Make sure that you do not wash the electrolyte to another part of your body or face.
- 1.58 If electrolyte comes in to contact with Eyes the electrolyte needs to be immediately washed away with large amounts of water. Make sure that you do not wash the electrolyte to another part of your face or body.
- 1.59 Gasses from charging batteries are highly flammable and great care should be taken to charge in well ventilated areas.

- 1.59.1  There is an explosion risk if the battery terminals are short circuited, when connecting/disconnecting **ALWAYS** exercise great care so that the terminals or battery leads are **NOT** allowed to touch and cause a spark. **ALWAYS** use suitable insulated tools.

1.60 Vibrations (where applicable).

- 1.61 Prolonged use of hand held (operated) machines will cause the user to feel the effects of/from vibrations. These vibrations can lead to white finger (Raynaud's phenomenon) or carpal tunnel syndrome. This condition reduces the ability of the hand to feel and regulate temperature, causing numbness and heat sensations and may cause nerve damage and circulatory tissue death.
- 1.62 Not all factors that lead to white finger disease are known, but cold weather, smoking and other diseases that affect blood vessels and blood circulation as well as large and long-lasting impact of shocks are considered factors in the formation of white finger. Note the following to reduce the risk of white finger and carpal tunnel syndrome;
- 1.63 Wear gloves and keep your hands warm.
- 1.64 Take regular breaks.
- 1.65 All of the above precautions may help reduce the risk of white finger disease but not rule out the carpal tunnel syndrome. Long-term and regular users are therefore recommended to observe the condition of your hands and fingers. Seek medical attention immediately if any of the above symptoms should occur.

1.70 Noise (where applicable).

- 1.71 The operating noise of the machine can damage your hearing. Wear hearing protection such as earplugs or ear defenders to protect your hearing. Long-term and regular users are advised to have hearing checked regularly. Be especially vigilant and cautious when hearing ear protection because your ability to hear alarm warnings will be reduced.
- 1.72 Noise emissions for this equipment is unavoidable. Carry out noisy work at approved times and for certain periods. Limit the working time to a minimum. For your personal protection and protection of people working nearby it is also advisable for them to wear hearing protection.



- 1.73 See Certificate of Conformity section for Outdoor Noise declaration of conformity.

MACHINE SPECIFIC SAFETY

1.80 General Machine Safety.

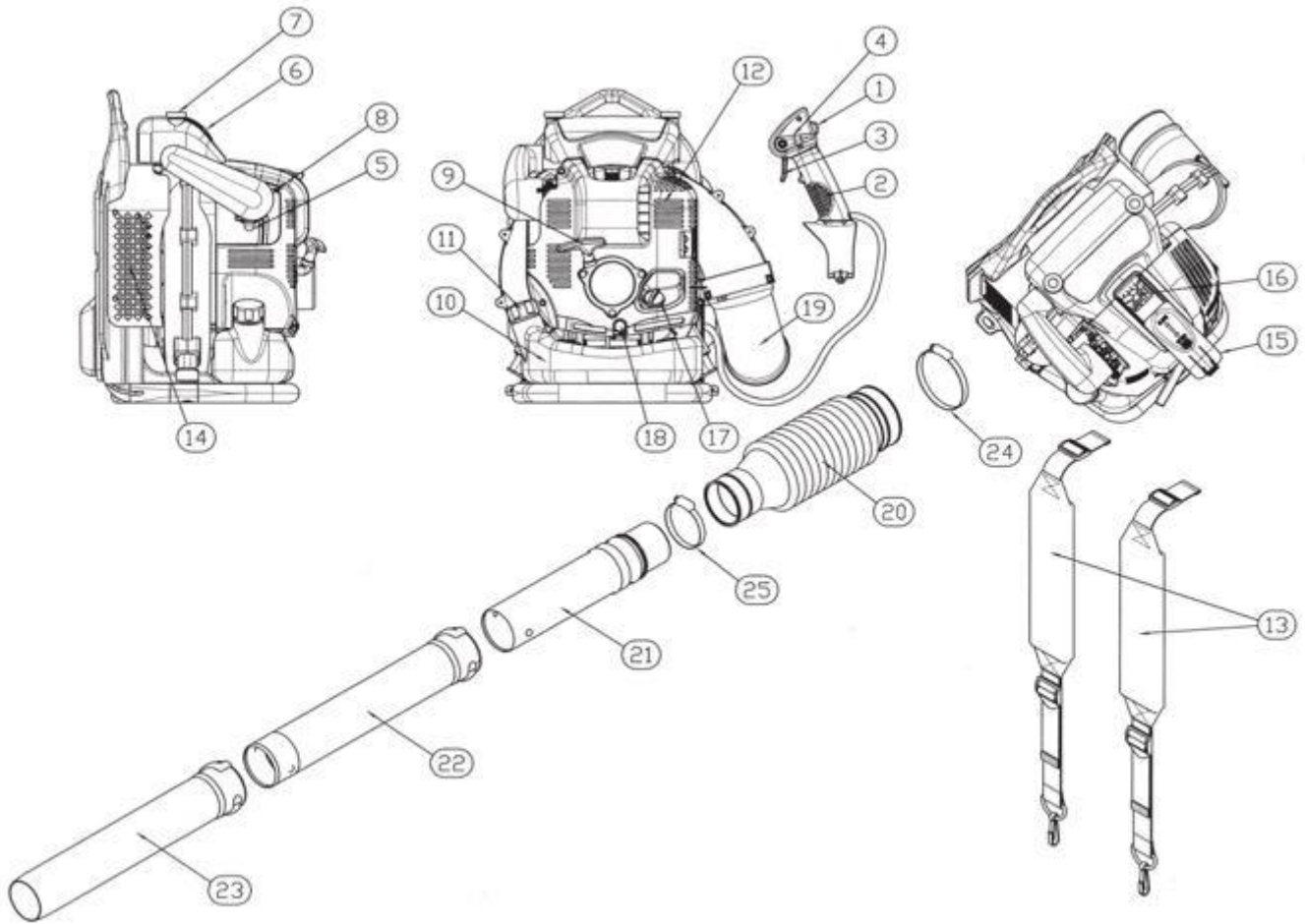
- 1.81 Read the owner's manual carefully to understand how to operate this machine properly.
- 1.82 You should **NEVER** use the machine when;
- 1.83 Wearing loose clothing, barefoot or sandals.
- 1.84 Under the influence of drink or drugs or as a result of having taken medication for cold or flu, or any other times when a possibility exists that your judgement might be impaired or that you might not be able to operate the machine properly and in a safe manner.
- 1.85 Suffering from exhaustion or lack of sleep.
- 1.86 When the ground is slippery or when other conditions exist which might make it not possible to maintain a steady posture.
- 1.87 At night, at times of heavy fog, or at any other times when your field of vision might be limited and it would be difficult to gain a clear view of the area.
- 1.88 During rain storms, lighting storms, at times of strong or gale force winds, or at any other times when the weather conditions might make it unsafe to use this product.
- 1.89 **NEVER** run the engine indoors. The exhaust gasses contain harmful carbon monoxide.
- 1.90 When using this machine for the first time and before actual work, you **MUST** learn how to handle the machine from an experienced or skilled person.

- 1.91 Limit the amount of time using the machine continuously to somewhere around 10 minutes per session and take 10 to 20 minutes of rest between sessions. Also try to keep the total amount of work in a single day limited to 2 hours or less.
- 1.92 **NEVER** allow children or anyone unable to fully understand the directions given in this manual to operate this product.
- 1.93 Make sure you keep this manual handy so you may refer to it whenever questions arise and ensure you pass this manual on if the machine is loaned or sold.
- 1.94 Correct Personal Protective Equipment (PPE) **MUST** be worn at all times when operating or repairing this machine. This should include but is not limited to;



- 1.95 **DO NOT** use this machine inside a confined space such as but not limited to a vehicle, house, garage, container, boat or building. Only use outside in a well ventilated area.
- 1.96 For air cooling a minimum of 1 meter is required all around the machine.
- 1.97 Maximum ambient temperature 40 degrees Celsius.
- 1.98 Fire risk- Fuel can expand and overflow in a hot environment or moving vehicle.
- 1.99 Explosion risk- LPG/ Petrol can leak and the vapour are heavier than air. Never store in confined spaces especially in a boat where the vapour will accumulate in the hull and create a high risk of explosion.
- 1.99.1 Carbon monoxide poisoning risk- Never run an engine in a confined space or poorly ventilated area. Keep the machine away from windows to prevent fumes entering the internal space. Carbon monoxide is produced by the engine and contained in the exhaust fumes. You cannot see it or smell it and it can kill you in minutes.
- 1.99.2 Never use inside a confined space with an exhaust extension. If the exhaust extension fails the escaping exhaust gases could kill you.

2. PART LOCATIONS



1	Stop Switch	14	Air Inlet Screen
2	Control Handle	15	Spark Plug Cover
3	Throttle Trigger	16	Spark Plug
4	Ignition Switch	17	Oil Filler Cap
5	Primer Bulb	18	Oil Drain Bolt
6	Air Filter Cover	19	Elbow
7	Air Filter Cover Nut	20	Flexible Pipe
8	Air Filter Soft Tube	21	Swivel Pipe
9	Starter Knob	22	Upper Blower Tube
10	Fuel Tank	23	Lower Blower Tube
11	Fuel Filler Cap	24	Hose Band
12	Exhaust	25	Hose Band
13	Shoulder Strap		

3. ASSEMBLY

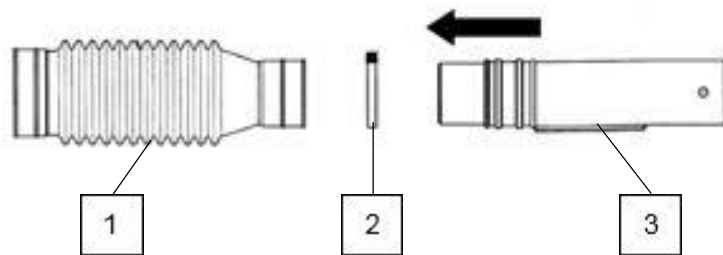


CAUTION

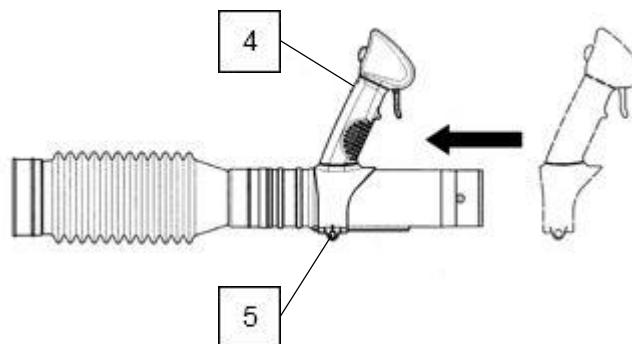
Before performing assembly or any maintenance to the leaf blower, always stop the engine, allow to cool and remove the spark plug HT lead cap.

ASSEMBLING BLOWER PIPES

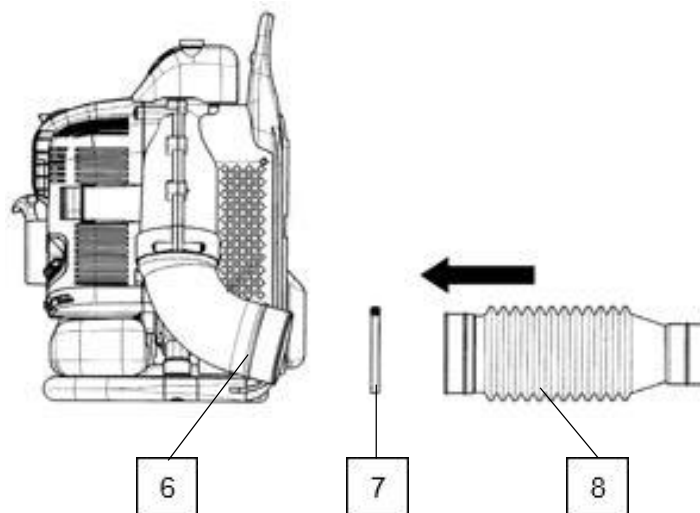
- 3.0 Insert the swivel pipe (3) into the flexible pipe (1) and tighten them with the hose band (2).



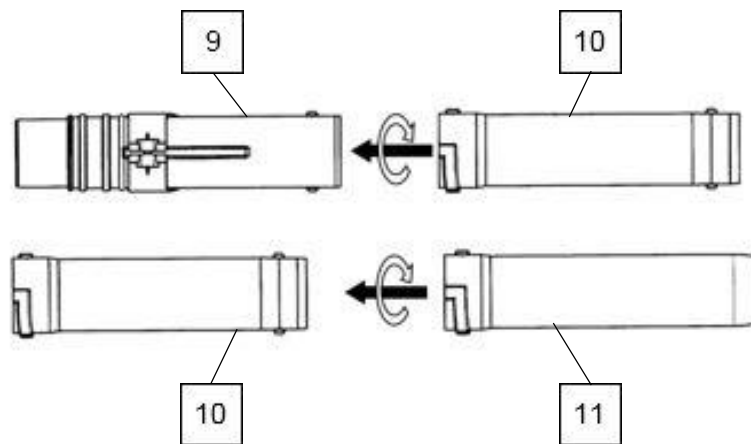
- 3.1 Install the control handle / handle assembly (4) onto the swivel pipe and tighten the clamp (5)



- 3.2 Attach the flexible pipe (8) to the elbow (6) and tighten the hose band (7).



- 3.3 Attach the upper blower tube (10) to the control handle tube (9).
Turn the long tube clockwise to lock it into place.
Attach the lower blower tube (11) to the upper blower tube (10) and turn clockwise to lock the tubes into place.



4. PRE OPERATON CHECKS



NOTE

This machine is shipped without fuel and oil.
It is essential that fuel and oil levels are checked and maintained before each operation.

ALWAYS check the fuel and oil level with the machine on flat level ground.

Fuel Type	2l Unleaded Petrol
Oil Type	200ml SAE30 Mineral Oil or SAE15W40 Mineral Oil



CAUTION

ALL FUELS ARE FLAMMABLE

ALWAYS handle with extreme care and in a well-ventilated area.
Allow the engine to cool completely and remove the spark plug HT lead cap before refuelling or defueling.



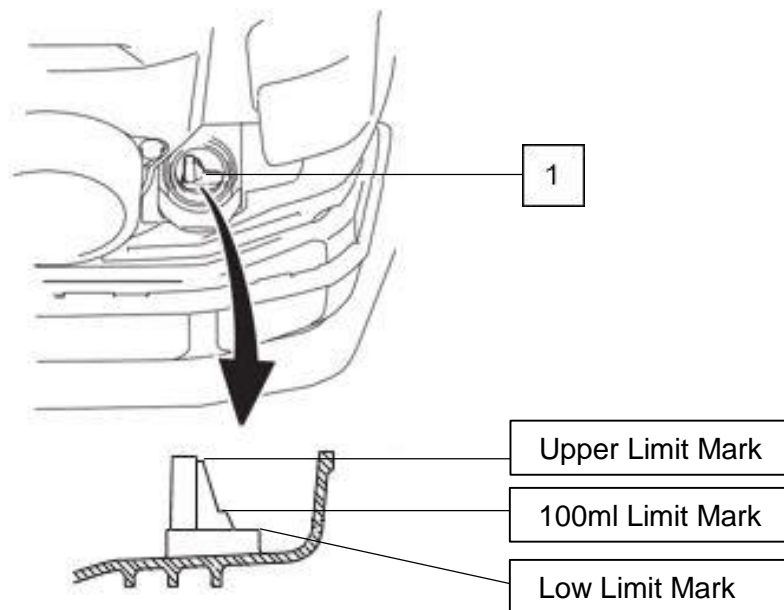
CAUTION

FOR OUTDOOR USE ONLY

This machine produces carbon monoxide – a poisonous, colourless and odourless gas that can cause death or serious injury.

OIL

- 4.0 Place the machine on flat level ground in a well-ventilated area away from any sources of ignition and at least 1.5m away from any buildings.
- 4.1 Clean the area around the oil filler cap to prevent dirt and debris from entering the fuel tank.
- 4.2 Unscrew the oil filler cap and slowly fill with oil to the upper level limit mark on the oil gauge (1). Use SAE30 or 15w40 engine oil.



- 4.3 Refit the oil filler cap and tighten securely.

FUEL



NOTE

This engine is a 4 stroke engine and runs on straight unleaded petrol only.
DO NOT mix fuel and oil.



CAUTION

ALL FUELS ARE FLAMMABLE

ALWAYS handle with extreme care and in a well-ventilated area.

Allow the engine to cool completely and remove the spark plug HT lead cap before refuelling or defueling.

- 4.4 Place the machine on flat level ground in a well-ventilated area away from any sources of ignition and at least 1.5m away from any buildings.
- 4.5 Clean the area around the fuel filler cap to prevent dirt and debris from entering the fuel tank.

- 4.6 Unscrew the fuel filler cap and slowly fill with unleaded petrol.
YOU MUST allow a 25mm gap between the fuel and the top of the fuel tank to allow for fuel expansion.
- 4.7 Refit the fuel filler cap securely.

5. STARTING PROCEDURE



NOTE

This machine is shipped **WITHOUT** Oil and Fuel and will require filling **BEFORE** use. Failure to do so will result in engine damage that will not be covered by the warranty.



CAUTION

Before starting, ensure the machine is clear of materials and all non-essential persons.



DANGER

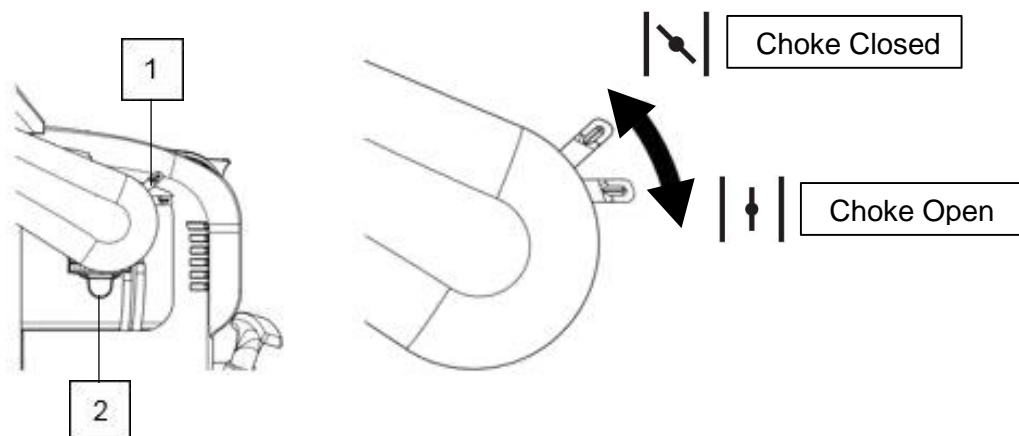
FOR OUTDOOR USE ONLY

This machine produces carbon monoxide – a poisonous, colourless and odourless gas that can cause death or serious injury.

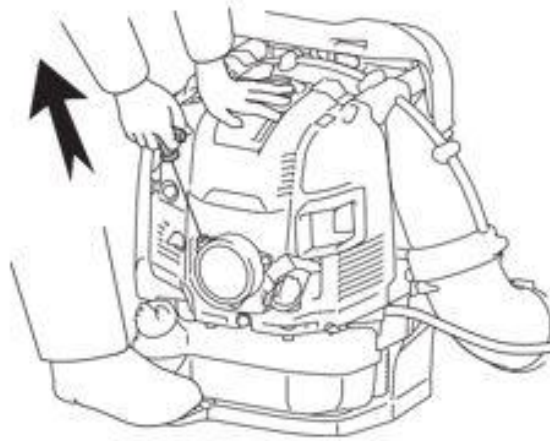
- 5.0 Place the machine on a flat level surface.
- 5.1 Move the ignition switch to the 'I' (ON) position.



- 5.2 Press the primer bulb (2) until fuel appears in the primer bulb.
- 5.3 **COLD START:** Move the choke lever (1) to the CLOSED/START position.
WARM START: Move the choke lever (1) to the OPEN/RUN position.



- 5.4 Place your right foot on the foot plate on the back of the machine and hold the top of the machine with your left hand to prevent it from moving.
- 5.5 Gently pull the recoil start handle until you feel resistance and then pull it swiftly.



- 5.6 Repeat until the engine starts.
DO NOT let go of the recoil handle, instead return it to the start position slowly.
- 5.7 Once the engine has started, reduce the choke by slowly moving the lever to the **OPEN** position.

6. STOPPING PROCEDURE

- 6.0 Allow the engine to sit at idle under no load for 20 seconds.
- 6.1 Move the ignition switch to the 'O' (OFF) position.



7. OPERATING PROCEDURE



NOTE

This machine is shipped without fuel and oil. It is essential that fuel and oil levels are checked and maintained before each operation.

ALWAYS check the fuel and oil level with the machine on flat level ground.

Fuel Type	2l Unleaded Petrol
Oil Type	200ml SAE30 Mineral Oil or SAE15W40 Mineral Oil



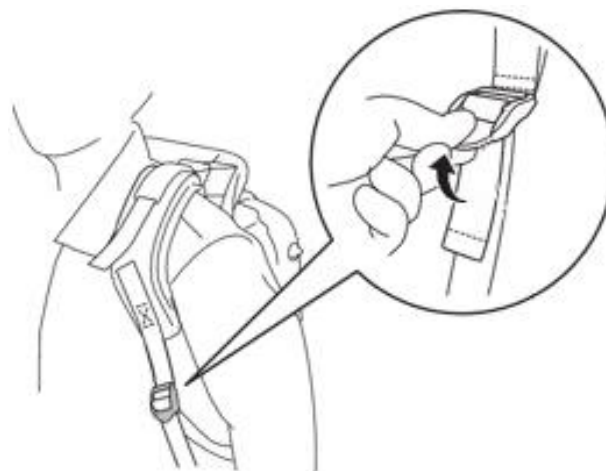
WARNING

DO NOT point the blower at any person or animal when is use.

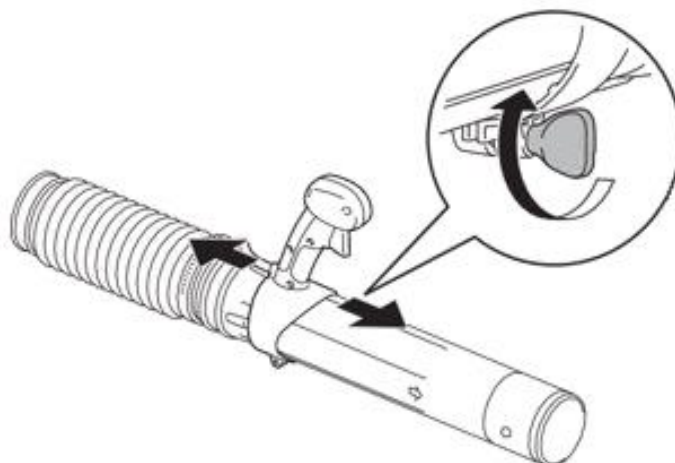
- 7.0 Place your arms through the shoulder straps and adjust to a comfortable working position.
To tighten, pull down on the straps.



- 7.1 To loosen the shoulder strap, pull up the end of the fastener.



- 7.2 With the leaf blower mounted, move the control handle along the pipe to a comfortable working position.



- 7.3 DO NOT place the blower on top of or near loose debris or gravel.
- 7.4 Debris may be sucked into the blower intake vent, resulting in possible damages to the unit and may result in personal injury.
- 7.5 When using the machine at higher throttle settings, the noise will increase.
- 7.6 Always use the lowest throttle setting required to get the job done.
- 7.7 Always wear hearing and eye protection whilst operating the machine.
- 7.8 Never operate the blower when the visibility is poor.
- 7.9 Always wear a dust mask to reduce the risk of inhaling dust and debris.
- 7.10 Always be aware of the strength and direction of air flow.
- 7.11 Never direct the blower discharge airflow toward people or animals.
- 7.12 Opening the air inlet cover may result in contact with the impeller blades and cause serious personal injuries.
- 7.13 Use rakes and brooms to loosen debris before blowing.
- 7.14 **ALWAYS** wear the appropriate Personal Protective Equipment (PPE) when using this machine.
- 7.15 Operate the appliance only in daylight.
- 7.16 **DO NOT** overreach and keep your footing on slopes.
- 7.17 Walk, don't run.
- 7.18 Keep all cooling air inlets clear and free of debris.
- 7.19 It is advisable to lightly dampen the surface in dusty conditions.
- 7.20 To keep from scattering debris, blow around the outer edges of the debris pile. **NEVER** blow directly into the centre of the pile.
- 7.21 Move the blower from side to side along the outer edges of debris.
- 7.22 **ALWAYS** point the blower tube downhill when working on uneven surfaces.

- 7.23 If the machine becomes blocked, you **MUST** turn the blower **OFF** and allow to cool before attempting to clear.
- 7.24 Use a rake or broom to loosen debris before blowing.
- 7.25 Remove dust and leaves etc. from the machine after every use.
- 7.26 **DO NOT** use chemical, acid, alkaline, grinding paste or other aggressive cleaning agents.

8. MAINTENANCE



WARNING

Before cleaning, inspecting or repairing the unit, you **MUST** make sure that the engine has stopped and allowed to cool.
You **MUST** disconnect the spark plug HT lead cap to prevent any accidental starting.



CAUTION

ALWAYS refuel in a well-ventilated area with the engine off and the spark plug HT lead cap removed.
Whilst carrying out maintenance you **MUST** wear appropriate Personal Protective Equipment (PPE). Suggested PPE not limited to, ear protection, eye protection, work gloves, overalls, sturdy footwear.



NOTE

Spare parts – If a part needs replacing, you **MUST** only use parts that meet the manufacturer's part number specifications.
Replacement parts that **DO NOT** meet specifications may result in a safety hazard or poor operation of the machine and will **VOID** the warranty.
Major servicing including installation of replacement parts, should be made by a qualified service technician.

Item		Each Use	First month or 10 hrs	Every 3 months or 25 hrs	Every 6 months or 50 hrs	Every year or 100 hrs	Every 2 years or 300 hrs
Engine Oil	Check Level	O					
	Change		O				
Air Filter	Check	O					
	Clean/Replace			O*			
Spark Plug	Check/Adjust					O	
	Replace						O
Fuel Filter	Check					O	
	Replace						O
Fuel Tank	Clean					O	
Idle Speed	Check/Adjust					O	
Valve Clearance	Check/Adjust					O**	
Throttle Cable	Check/Adjust	O					
Fuel Lines	Check/Replace	Every Use / Replace as Required					
Oil Tube	Check/Replace	Every Use / Replace as Required					

*More frequently in dusty environments.

**Work to be carried out by a qualified engineer or your service dealer.

OIL



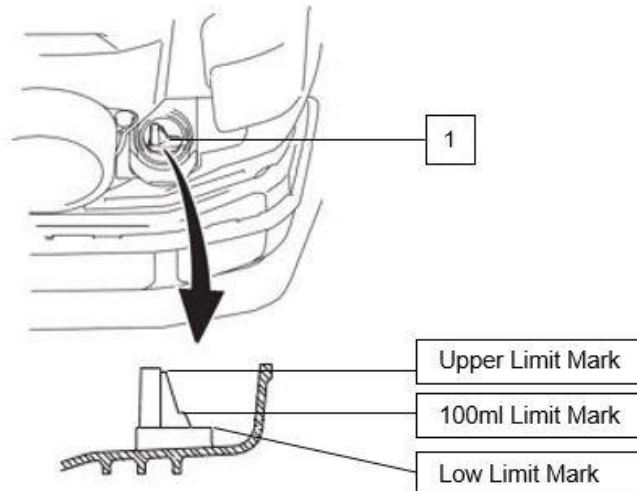
CAUTION

Engine oil will remain hot for some time after use.

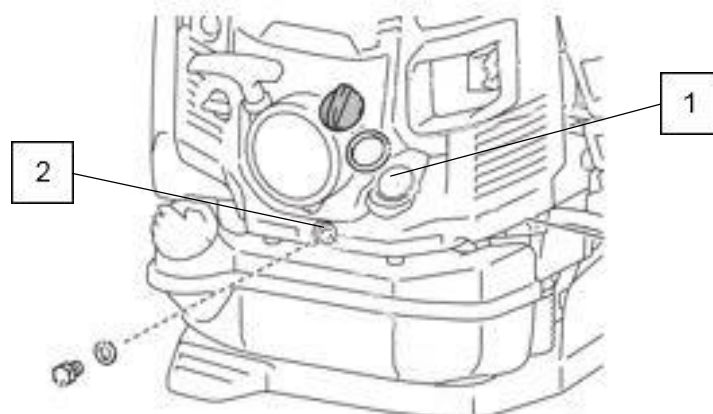
Allow the oil to cool to **WARM** before changing as warm oil will drain more effectively.

Fuel Type	2l Unleaded Petrol
Oil Type	200ml SAE30 Mineral Oil or SAE15W40 Mineral Oil

- 8.0 To replace the engine oil, place the machine on a flat level surface.
- 8.1 Unscrew the oil filler cap (1) and place a suitable container underneath the oil drain bolt (2).
- 8.2 Remove the drain bolt and allow all of the oil to drain into the container.
- 8.3 Inspect the drain plug and drain plug washer for damage. If damaged, replace immediately.
- 8.3 Refit the oil drain plug.
- 8.4 Slowly fill with fresh engine oil to the upper oil level mark. Stop occasionally to check the oil level.



- 8.5 Replace the oil filler cap and tighten securely.

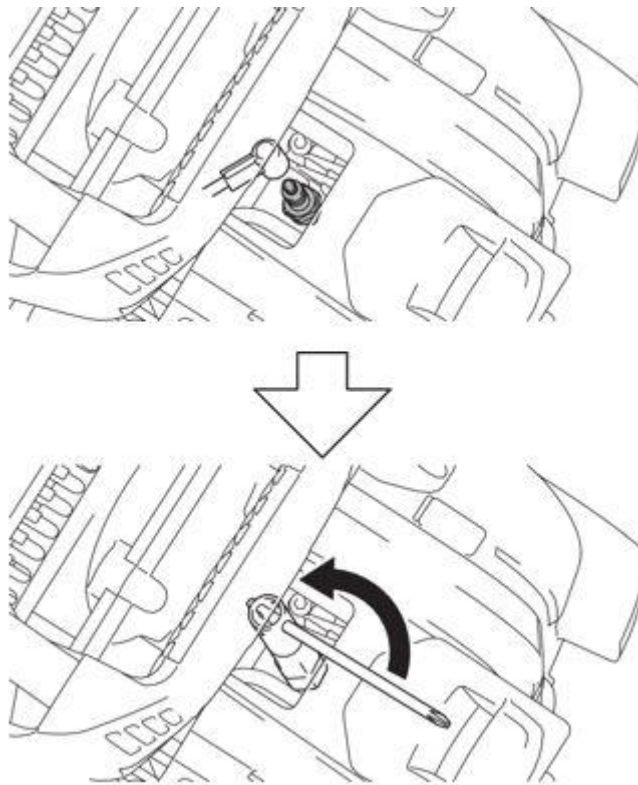


SPARK PLUG

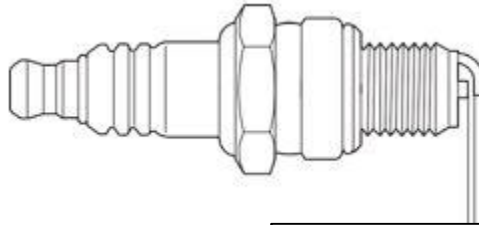
- 8.6 Open the spark plug cover on the engine.



- 8.7 Remove the spark plug HT lead cap and using a spark plug spanner, undo and remove the spark plug.



- 8.8 Remove the spark plug and inspect the plug and the plug washer.
- 8.9 If any wear or damage is visible, the spark plug or spark plug washer must be replaced.
- 8.10 Remove carbon deposits from the spark plug by using a soft wire brush.
- 8.11 The spark plug gap should be 0.7 – 0.8mm (0.028” – 0.031”).
Check the spark plug gap using a feeler gauge and adjust as necessary by carefully bending the side electrode to achieve the correct gap.



0.7-0.8mm (0.028"-0.031")

- 8.12 Refit the cleaned and adjusted spark plug by hand to avoid cross-threading.
- 8.13 After the spark plug seats then tighten.
- 8.14 Re-attach the spark plug HT lead cap and plug cover.

AIR FILTER



NOTE

The engine **MUST NOT** be run without an air filter otherwise piston and or cylinder damage can occur.

This type of damage will not be covered by the warranty.

- 8.15 Undo the bolts on the air filter cover and remove.
- 8.16 Remove the air filter element taking care to not allow any dirt or debris to enter the carburettor.
- 8.17 Inspect the air filter and if it shows any signs of damage or wear, then replace immediately.
- 8.18 Clean the inside of the air filter cover with a lint free cloth.
- 8.18 Gently tap the dirt and debris from the air filter.
Use a low pressure airline to blow dirt and debris from the air filter from the inside out.
- 8.19 Replace the air filter and refit the air filter cover.



FUEL FILTER



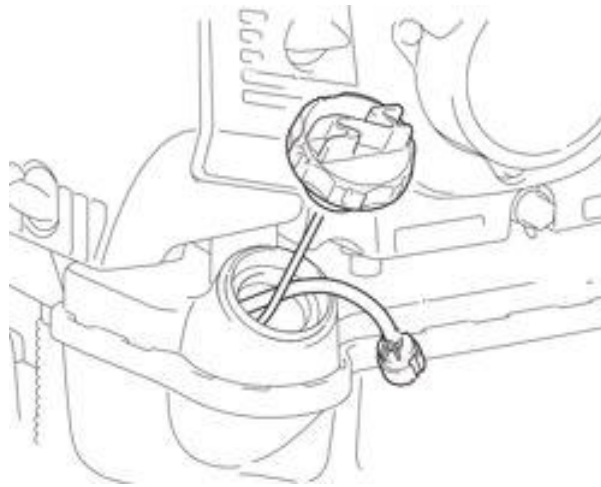
CAUTION

ALL FUELS ARE FLAMMABLE

ALWAYS handle with extreme care and in a well-ventilated area.

Allow the engine to cool completely and remove the spark plug HT lead cap before refuelling or defueling.

- 8.20 Remove the fuel filler cap and drain the remaining fuel into a suitable container.
- 8.21 Pull out the fuel filter with a wire through the fuel filling port.
- 8.22 If the fuel filter surface is contaminated, clean with fresh petrol.
- 8.23 After cleaning or replacing, reinsert the fuel filter into the fuel tank.



9. TRANSPORT

- 9.0 Allow the machine to cool completely before transporting.
- 9.1 Drain the fuel into a suitable container.
- 9.2 Remove the spark plug HT lead cap.
- 9.3 Secure the machine so it cannot move during transport.
- 9.4 Petrol and its vapours are highly flammable.
Keep the machine away from sources of ignition during transport.
- 9.5 Do not use the machine in a moving vehicle.

10. STORAGE



NOTE

If the machine is to be stored for periods of 30 days or more then it is essential to prepare the machine for storage correctly. Failure to do so could result in issues making the machine difficult to start or cause poor running.

- 10.0 Drain the fuel tank using a siphon or similar fuel retrieval device, into a suitable container.
- 10.1 Run the engine under no load until the machine stops to remove any remaining fuel from the carburettor and fuel lines.
- 10.2 Allow the engine to cool completely.
- 10.3 Drain the engine oil from the engine following the procedure laid out in the maintenance section.
- 10.4 Clean the area around the spark plug and remove the spark plug following the procedure laid out in the maintenance section.
- 10.5 Pour a teaspoon of fresh engine oil down the spark plug hole into the cylinder bore.
- 10.6 Gently pull the recoil start handle 4 to 5 times to coat the cylinder wall with a layer of fresh engine oil.
- 10.7 Refit the spark plug but leave the spark plug HT lead cap removed.
- 10.8 Clean the machine using a brush to remove large pieces of debris and a moist cloth for other areas.
DO NOT use a pressure washer or hose pipe to clean the machine. Water could penetrate the engine causing serious damage.
DO NOT use solvent based cleaning products as these could damage plastic components.
- 10.9 Check the tightness of all nuts, bolts and screws.
- 10.10 Use a silicone based grease to lubricate any moving parts.
- 10.11 Store upright, in a cool dry place away from extremes of temperature changes and away from any possible sources of ignition.
- 10.12 **DO NOT** store other items on top of the machine.

11. TROUBLESHOOTING



CAUTION

All corrective actions should be carried out by suitable qualified person/s.

	PROBLEM	POSSIBLE CAUSE	SOLUTION
The spark plug does not spark	Spark plug	Spark plug electrode wet	Dry electrode
		Covered with carbon	Clean or replace spark plug
		Damaged insulation	Replace insulation
		Spark plug gap incorrect	Adjust gap to 0.6 – 0.8mm
		Spark plug electrode burned	Replace spark plug
	Magneto	Damaged HT lead	Replace HT lead
		Bad coil insulation	Replace coil
		Damage to wire coil	Replace coil
Electronic firing unit is defective		Replace	
The spark plug functions correctly	Compression ratio OK and fuelling well	Too much fuel in cylinder	Drain excess fuel
		Water or dirt in fuel, stale fuel	Replace with fresh fuel
	Fueling well but the compression ratio is poor	Cylinder piston ring worn or damaged	Replace worn or damaged items
		Spark plug is loose	Tighten spark plug
	Carburetor is not fueling	No fuel in the tank	Add fuel
		Filter gauze clogged	Clean filter gauze
		Tank air hole clogged	Clean tank air hole
PROBLEM	POSSIBLE CAUSE	SOLUTION	
Compression ratio is all OK	Filter clogged	Clean filter	
	Air is able to pass through	Tighten up to prevent air penetration	
	Air is able to pass through carburetor connection	Tighten up	
	Engine is overheating	Stop the engine and let it cool down. When restarting avoid long periods at heavy load and high revs	
	Water in fuel	Drain and replace fuel	
	Carbon clogged exhaust	Clean exhaust	
Engine overheating	Fuel mixture too lean	Adjust the carburetor	
	Cylinder covered with carbon	Clean the cylinder	
Engine knocking or making a noise	Fuel has gone stale or bad	Replace with fresh petrol	
	Carbon in cylinder	Clean the cylinder	
	Engine parts worn or damaged	Check and replace defective parts	
PROBLEM	POSSIBLE CAUSE	SOLUTION	
	The plug or plug wire	Firmly replace if loose	

Engine stops suddenly during operation	Piston seized	Change the piston
	Spark plug covered in carbon	Clean plug, replace if necessary
	Engine has run dry of petrol	Refill with petrol
Engine stops slowly	Carburetor clogged	Clean the carburetor
	Air hole in the fuel tank is clogged	Unblock air hole
	Water in the petrol	Drain and replace with fresh petrol

12. SPECIFICATION

Model Number	HY4B76
Engine	Hyundai 4 Stroke Single Cylinder
Displacement – cc	76
Power – kw	2.2
Air Speed - mph	140
Engine Speed – rpm	7000
Fuel Type	Unleaded Petrol
Fuel Capacity – l	1.5
Oil Type	SAE30 or SAE15W40 Mineral Oil
Air Velocity – m/s	87
Noise Level – dB	116
Gross Weight – Kg	13.7

13. DECLARATION OF CONFORMITY

13.0

EC Declaration of Conformity

We hereby declare that the machine detailed in this declaration complies to all the relevant provisions of the following EC directives.

- 2006/42/EC The Machinery Directive
- 2014/30/EU Annex II Electromagnetic Compatibility Directive
- 2016/1628/EC The Emission of Gaseous and Particulate Pollutants from internal Combustion engines
- 2000/14/EC Noise Emissions in the Environment by Equipment for use Outdoors.

And is in conformity with the applicable requirements of the following documents:

- EN ISO 15503:2009/A2-2015
- EN ISO 14982:2009

Declaration for 2000/14/EC Noise Emissions in the Environment by Equipment for use Outdoors.

Notified Body for EC Directive 2000/14/EC TÜV SÜD Product Service GmbH.

Model	Type	Engine Size	Measured Sound Power	Guaranteed Sound Power	Engine output
HY4B76	Leafblower	76cc	106.2dB(A)	113dB(A)	2.2kW

Product Details

Brand: Hyundai

Model: HY4B76

Description: Petrol leafblower

Name and address of technical documentation holder and EU distributor:

Genpower Ltd, Isaac Way, Pembroke Dock, Pembrokeshire, SA72 4RW, UK.

Signed by:

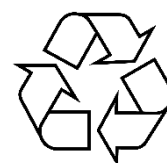
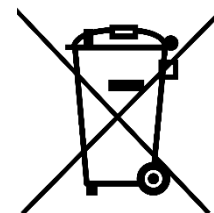


Roland Llewellyn, Managing Director

Date: 12/08/2020

14. RECYCLING & PRODUCT DISPOSAL

- 14.0 We do not offer a take back scheme for the recovery of Waste Electrical Electronic Equipment (WEEE) & Batteries.
Instead the responsibility to dispose of WEEE and or batteries is passed onto you by us.
So when it becomes necessary to dispose of your machine you must take it to your Local Civic Amenity Site.
For further information please contact your Local Authority for disposal advice.
- 14.1 You MUST make sure that all unused oil and fuel is disposed of correctly either beforehand or at your Local Civic Amenity Site.
Under NO circumstances must any fuel or oil be put down any drains.
- 14.2 Certain products contain WEEE waste which should not be disposed of in your domestic waste.
- 14.3 You MUST recycle WEEE in accordance with your local authority or recycling centre.
- 14.4 Certain products contain batteries which should not be disposed of in your domestic waste.
- 14.5 You MUST recycle batteries which should not be disposed of in your domestic waste.
- 14.6 Unwanted packaging and materials should be stored and taken to a recycling centre so it can be disposed of in a manner which is compatible with the environment.
- 14.7 The following symbol means you should 'Reduce – Reuse - Recycle'.
- 14.8 We are members of VALPAK National Compliance Scheme and our registration number is RM08660.
- 14.9 For further information about disposal please contact your local authority.
- 14.10 You can also get more advice and guidance about recycling at the following website <http://recycle-more.co.uk>
- 14.11 Should you pass this product on to another user either sold or loaned, you MUST pass on this user manual.
This will make sure that all other users can use and maintain this machine safely.



15. CONTACT DETAILS

15.0	CONTACT DETAILS	Genpower Ltd, Isaac Way, London Road, Pembroke Dock, Pembrokeshire. SA72 4RW. UK.
15.1	PHONE	+44 (0) 1646 687880
15.2	SUPPORT	aftersales@hyundaipowerproducts.co.uk
15.3	WEBSITE	www.hyundaipowerproducts.co.uk

16. WARRANTY

- 16.0 Proof of purchase will be required before you make a warranty claim.
Full warranty terms and conditions can be found on the HYUNDAI POWER PRODUCTS website:
www.hyundaipowerproducts.co.uk

17. MANUAL UPDATES

- 17.0 Our manuals are constantly being reviewed and updated.
However if you find an error, omission or something you find unclear, please contact your dealer for assistance.
- 17.1 Our latest manuals are also placed online.

HYUNDAI

POWER PRODUCTS

For Inquiries, Please Contact:

GENPOWER LTD

Isaac Way, London Road

Pembroke Dock, UNITED KINGDOM, SA72 4RW

T: +44 (0) 1646 687 880 F: +44 (0) 1646 686 198

E: info@hyundaipowerequipment.co.uk

www.hyundaipowerequipment.co.uk